

# Cuisinart®

INSTRUCTION BOOKLET

Recipe  
Booklet  
Reverse Side



**Cuisinart® Griddler™ Panini & Sandwich Press**

**GR-1**

For your safety and continued enjoyment of this product, always read the instruction booklet carefully before using.

IB-6395

# IMPORTANT SAFEGUARDS

When using an electrical appliance, basic safety precautions should always be followed to reduce the risk of fire, electric shock and/or injury, including the following:

1. READ ALL INSTRUCTIONS BEFORE USING.
2. Switch off and unplug after use and before cleaning.
3. This machine is not intended for use by young children.
4. The use of attachments not recommended or sold by the manufacturer may cause fire, electric shock or injury.
5. Do not exceed the maximum capacities listed in this use and care instruction book.
6. Do not use the machine if it is damaged or if the cord is damaged. Have the machine checked and serviced before resuming use.
7. Do not use outdoors.
8. To protect against the risk of electric shock do not immerse unit in water or other liquid.
9. Do not let cord hang over edge of table or counter.

# SAVE THESE INSTRUCTIONS FOR HOUSEHOLD USE ONLY

# SPECIAL CORD SET INSTRUCTIONS

A short power-supply cord is provided to reduce the risks resulting from becoming entangled in or tripping over a longer cord.

Longer extension cords are available and may be used if care is exercised in their use.

If a long extension cord is used, the marked electrical rating of the extension cord must be at least as great as the electrical rating of the appliance, and the longer cord should be arranged so that it will not drape over the countertop or tabletop where it can be pulled on by children or tripped over.

# NOTICE

This appliance has a polarized plug (one blade is wider than the other). To reduce the risk of electric shock, this plug will fit in a polarized outlet only one way. If the plug does not fit fully in the outlet, reverse the plug. If it still does not fit, contact a qualified electrician.

Do not modify the plug in any way.

# CONTENTS

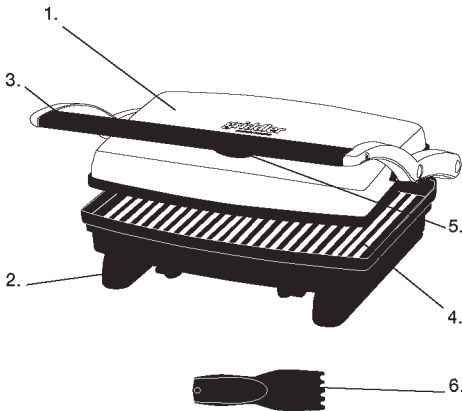
Introduction .....	3
Parts and Features.....	3
Before First Use.....	3
Panini Press.....	3
Assembly Instructions.....	4
Operating Instructions .....	4
User Maintenance .....	4
Cleaning and Care.....	4
Storage .....	5
Warranty.....	5

# INTRODUCTION

Your new Cuisinart® Griddler™ Panini & Sandwich Press lets you make authentic panini at home. The secret is the adjustable floating hinge that keeps the upper plate parallel to the lower plate, moving it up or down to press the panini as it cooks. A preset temperature ensures every panini you grill will be crisp, golden brown, and delicious!

# PARTS AND FEATURES

1. **Cover:** Brushed stainless steel cover with embossed logo is both elegant and industrial.
2. **Base:** Sturdy base keeps the unit in place while cooking.
3. **Panini-Style Handle:** Cast-metal handle adjusts cover to accommodate panini with various thicknesses.
4. **Panini-Style Grill Plates:** Nonstick, panini-style grill plates evenly toast and heat your panini.
5. **Indicator Lights:** Red and green lights signal “power on” and “ready to cook.”
6. **Cleaning/Scraping Tool:** Helps clean grill plates after cooking.



# BEFORE FIRST USE

Remove all packaging materials and any promotional labels from your panini press. Be sure all parts of your new appliance have been included before discarding any packaging materials. You may want to keep the box and packing materials for use at a later date.

Before using your Griddler™ Panini & Sandwich Press for the first time, remove any dust accumulated during shipping by wiping the base, cover and grill plates with a damp cloth. Thoroughly clean cleaning tool by using soapy water or dishwasher.

# PANINI PRESS

Use your Griddler™ Panini & Sandwich Press to grill sandwiches, breads and quesadillas.

The word “panini” is an Italian term for grilled sandwiches. Panini can include a combination of ingredients such as vegetables, meat and cheese layered between two pieces of freshly baked bread. The sandwich is then pressed between two grill plates to toast the bread and warm the filling. Experiment with a variety of savory or sweet sandwiches for any meal. We recommend using freshly baked bread to produce the best-tasting panini. Popular breads for panini are focaccia, michette, ciabatta, and thick slices of Italian bread.

The Griddler™ Panini & Sandwich Press was designed with a unique handle and hinge that allows the cover to adjust to the thickness of the sandwich you are preparing. This allows for even toasting and heating. Light pressure can be applied to the handle to press and heat the sandwich to your liking.

When cooking two or more panini, it is important that the thickness of all sandwiches is the same so the cover will close evenly on the panini.

# ASSEMBLY INSTRUCTIONS

1. Place the Griddler™ Panini & Sandwich Press on a clean, flat surface where you intend to cook.
2. Plug the cord into a standard electrical outlet.
3. When the unit is plugged in, the red light will be illuminated and the unit will be pre-heating.
4. When the red light switches to green, your Griddler™ Panini & Sandwich Press has reached the proper temperature and is ready for use.

# OPERATING INSTRUCTIONS

Once the Griddler™ Panini & Sandwich Press is assembled properly you are ready to begin cooking.

1. Plug the cord into a standard electrical outlet. The red light will be illuminated and the unit will be on.
2. Once the red light switches to green, the unit has reached a preset temperature that is perfect for grilling panini.
3. Place preassembled panini on the bottom grill plate and lower top cover using the panini-style handle. Please note that sandwiches should be of even thickness for perfect grilling results.
4. If desired, apply light pressure to the handle.
5. Grill panini for the desired amount of time or until filling is warm.
6. Remove panini using a heat-resistant plastic utensil or wooden spatula.
7. Unplug unit and wait for unit to cool for at least 30 minutes before cleaning.

Always exercise caution when handling the Griddler™ Panini & Sandwich Press during cooking. To open the Griddler™ Panini & Sandwich Press grasp the black plastic area of the handle. This part of the handle stays cool to the touch while cooking. The arms are made of die-cast

aluminum and will become hot during use. Do not touch them during or immediately following cooking.

The Griddler™ Panini & Sandwich Press top housing will become hot during use. The cover is made of brushed stainless steel and will become very hot and should not be touched during or immediately following cooking. If you need to adjust the cover, be sure to use an oven mitt to prevent burns.

# USER MAINTENANCE

Never use metal utensils, as they will scratch the nonstick plates. Instead, use only wooden or heatproof plastic utensils.

Never leave plastic utensils in contact with the hot grill plates. This includes the cleaning tool provided.

Allow the Griddler™ Panini & Sandwich Press to cool down completely (at least 30 minutes) before cleaning.

# CLEANING AND CARE

**CAUTION: BEFORE CLEANING THE APPLIANCE, MAKE SURE IT HAS COOLED DOWN COMPLETELY.**

Unplug unit from electrical outlet and allow unit to cool. Use the cleaning/scrapping tool to remove any leftover food from the grilling plates. The cleaning tool can be washed by hand or in the dishwasher.

The housing base and cover can be wiped with a soft, dry cloth. For tough stains, dampen cloth. Never use abrasive cleaners or harsh pads.

# STORAGE

Always make sure the Griddler™ Panini & Sandwich Press is cool and dry before storing.

The power cord can be wrapped around the bottom of the base for storing.

# WARRANTY

## Limited Three-Year Warranty

This warranty is available to consumers only. You are a consumer if you own a Cuisinart® Griddler™ Panini & Sandwich Press which was purchased at retail for personal, family or household use. Except as otherwise required under applicable law, this warranty is not available to retailers or other commercial purchasers or owners.

We warrant that your Cuisinart® Griddler™ Panini & Sandwich Press will be free of defects in materials and workmanship under normal home use for 3 years from the date of original purchase.

We suggest you complete and return the enclosed product registration card promptly to facilitate verification of the date of original purchase. However, return of the product registration card does not eliminate the need for the consumer to maintain the original proof of purchase in order to obtain the warranty benefits. In the event that you do not have proof of purchase date, the purchase date for purposes of this warranty will be the date of manufacture.

If your Cuisinart® Griddler™ Panini & Sandwich Press should prove to be defective within the warranty period, we will repair or, if we think necessary, replace it. To obtain warranty service, please call our Customer Service Center toll-free at 1-800-726-0190 or write to: Cuisinart, 150 Milford Road, East Windsor, NJ 08520.

To facilitate the speed and accuracy of your return, enclose \$10.00 for shipping and handling. (California residents need only supply a proof of purchase and should call 1-800-726-0190 for shipping instructions.) Please be sure to include your return address, description of the product's defect, product serial number, and any other information pertinent to the return. Please pay by check or money order.

**NOTE:** For added protection and secure handling of any Cuisinart® product that

is being returned, we recommend you use a traceable, insured delivery service. Cuisinart cannot be held responsible for in-transit damage or for packages that are not delivered to us. Lost and/or damaged products are not covered under warranty.

Your Cuisinart® Griddler™ Panini & Sandwich Press has been manufactured to the strictest specifications and has been designed for use only with authorized accessories and replacement parts. This warranty expressly excludes any defects or damages caused by accessories, replacement parts or repair service other than those authorized by Cuisinart.

This warranty does not cover any damage caused by accident, misuse, shipment or other than ordinary household use.

This warranty excludes all incidental or consequential damages. Some states do not allow the exclusion or limitation of these damages, so they may not apply to you.

©2005 Cuisinart  
Cuisinart® is a registered  
Trademark of Cuisinart

150 Milford Road  
East Windsor, NJ 08520  
Printed in China

05CU26494