

Cuisinart®

INSTRUCTION AND
RECIPE BOOKLET



SmartPower® 7-Speed Electronic Blender

SPB-7 Series

For your safety and continued enjoyment of this product, always read the instruction book carefully before using.

IMPORTANT SAFEGUARDS

When using an electrical appliance, basic safety precautions should always be followed, including the following:

1. **READ ALL INSTRUCTIONS BEFORE USING.**
2. To protect against the risk of electrical shock, do not put motor base of blender in water or other liquid.
3. This appliance should not be used by or near children or individuals with certain disabilities.
4. Unplug from outlet when not in use, before putting on or taking off parts, and before cleaning or removing contents from blender jar. **Never put hands into the blender jar or container, or handle the blades with appliance plugged in.**
5. Avoid contact with moving parts.
6. Do not operate any appliance with a damaged cord or plug or after the appliance malfunctions, or is dropped or damaged in any manner. Return appliance to nearest Cuisinart service facility for examination, repair, and/or mechanical or electrical adjustment.
7. The use of attachments, including canning or ordinary jars, not recommended or sold by Cuisinart may cause fire, electrical shock, or risk of injury to persons.
8. Do not use outdoors.
9. Do not let cord hang over edge of counter or table or touch hot surfaces.
10. **Keep hands and utensils out of jar while blending, to reduce the risk of severe injury to persons or damage to blender itself.** A rubber or plastic spatula may be used but must be used only when the blender is turned OFF.
11. When blender is in ON mode, and LED lights are flashing or glowing, do not touch cutting assembly, interfere with blade movement, or remove blender jar cover. Accidentally touching a speed button may activate the blender.
12. **BLADES ARE SHARP. HANDLE CAREFULLY.**
13. To reduce the risk of injury, never place cutting assembly on base unless the blender jar is properly attached.
14. Always operate blender with the cover in place.
15. Never leave your blender unattended while running.
16. When blending HOT liquids, remove measured pour lid (center piece of cover) to allow steam to escape.

17. Twist on locking ring firmly. Injury can result if moving blades accidentally become exposed.
18. Do not use an extension cord with this unit. Doing so may result in fire, electrical shock, or personal injury.

Regarding your cord set: A longer cord has been provided so that you will have flexibility in positioning your Cuisinart® SmartPower® Blender near an electrical outlet. Exercise care when using the longer cord, to avoid entangling or tripping over the cord. The longer cord should be arranged so that it will not drape over the counter or tabletop, where it can be pulled on by children or tripped over. Excess cord should be stored in the cord storage area at the back of the blender base to avoid injury caused by the longer cord.

19. Wash the blender jar, cutting assembly, locking ring, and cover before first use.
20. **WARNING: TO REDUCE THE RISK OF ELECTRICAL SHOCK OR FIRE, DO NOT REMOVE THE BASE PANEL. NO USER SERVICEABLE PARTS ARE INSIDE. REPAIR SHOULD BE DONE ONLY BY AUTHORIZED PERSONNEL.**
21. **WARNING: FLASHING LIGHT INDICATES BLENDER IS READY TO OPERATE. DO NOT TOUCH BLADES.**
22. Do not operate your appliance in an appliance garage or under a wall cabinet. **When storing in an appliance garage always unplug the unit from the electrical outlet.** Not doing so could create a risk of fire, especially if the appliance touches the walls of the garage or the door touches the unit as it closes.

SAVE THESE INSTRUCTIONS FOR HOUSEHOLD USE ONLY NOTICE

This appliance has a polarized plug (one prong is wider than the other). To reduce the risk of electric shock, this plug will fit into a polarized outlet only one way. If the plug does not fit fully into the outlet, reverse the plug. If it still does not fit, contact a qualified electrician. Do not modify the plug in any way.

This appliance comes with a resettable thermal fuse to prevent damage to the motor in case of extreme overload. Should the unit shut off unexpectedly, unplug it and let it cool for at least 15 minutes before continuing (see “To reset the unit” on page 5).

UNPACKING INSTRUCTIONS

1. Place the gift box containing your Cuisinart® SmartPower® 7-Speed Electronic Blender on a flat, sturdy surface before unpacking.
2. Remove instruction booklet and other printed materials from top of corrugated insert. Next remove the top corrugated insert.
3. Carefully lift blender base from box and set aside.
4. Remove the lower corrugated insert containing the blender jar assembly. Be careful not to tip the jar when removing.
5. Remove any additional literature from the box.

To assemble the blender, follow the Assembly instructions on page 4 of this instruction booklet. Replace all corrugated inserts in the box and save the box for repackaging.

Before using for the first time: Wash all parts according to the Cleaning and Maintenance section on page 6 of this booklet to remove any dust or residue.

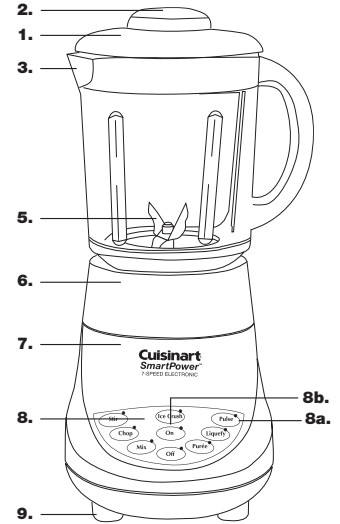
CONTENTS

Important Safeguards	2
Unpacking Instructions	3
Features and Benefits	3
Use and Care/Assembly	4
Helpful Reminders	4
Operation	4
Easy Reference Guides	5
Cleaning and Maintenance	6
Do's and Don'ts	6
Recipe Tips	7
Recipes	8
Warranty Information	19

FEATURES AND BENEFITS

1. **Cover**
Just press on. Tight fitting seal resists leakage.

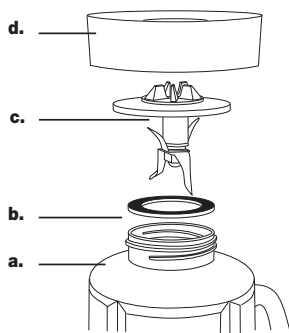
2. **2-oz. Measured Pour Lid**
Allows you to measure and add ingredients without removing the cover.
3. **40-oz. Glass Jar with Dripless Pour Spout**
Has a unique, sturdy, widemouth design and a dripless pour spout for no mess pouring.
4. **Leak-proof Rubber Gasket**
(not shown) Holds the glass jar snugly in position for safe operation.
5. **High-quality Cutting Assembly**
Is strong enough for all blender tasks, including tough jobs, from ice crushing to chopping delicate herbs.
6. **Locking Ring**
Is self-aligning so that the glass blender jar slides easily into position.
7. **Heavy-duty Motor Base**
Is so sturdy and stable, it will not “walk” on your counter – even during ice crushing!
8. **7-Speed Touchpad Control with Indicator Lights**
Is easy to use, read and clean. The red LED lights clearly indicate what blender speed you are using.
- 8a. **Pulse at Any Speed Button**
Allows you to pulse at any speed from high to low, so you can blend ingredients only as much as needed.
- 8b. **Ice Crush Button**
This button is preset to the best speed for crushed ice.
9. **Slip-proof Feet**
Prevent movement during use and prevent damaging marks on countertops or tables.
10. **Cord Storage (not shown)**
Keeps countertop safe and neat by conveniently storing excess cord.



ASSEMBLY

To use your Cuisinart® SmartPower® 7-Speed Electronic Blender, begin by assembling the blender jar.

1. Turn the blender jar (a) upside down, and place it flat on a sturdy surface.
2. Position the rubber gasket (b) on the round opening on the bottom of the blender jar.
3. Turn the cutting assembly (c) upside down, and place the blade end in the blender jar opening. **Note: Blades are sharp. handle carefully.**
4. Secure the rubber gasket and cutting assembly into position by placing the smaller opening of the locking ring (d) on top of the cutting assembly. Engage threads by twisting the locking ring clockwise until tightened. Make sure locking ring is tightly fastened to blender jar. Once assembled, turn the blender jar right-side up.
5. Push the cover onto the top of the blender jar. Insert the measured pour lid into the cover.
6. Place the blender jar on the motor base so that the jar markings are facing you and the handle is positioned to one side.
7. Plug in power cord. Your blender is now ready to be used.



- Do not place ice, frozen foods or very cold liquids in a blender jar which has come directly from a hot dishwasher.
- Do not place very hot liquids or foods in a blender jar which has come directly from the freezer. Boiling liquids should cool for 5 minutes before being placed in blender jar.
- Follow Cleaning and Maintenance instructions on page 6, prior to your first use.

OPERATION

1. Place the motor base of your Cuisinart® SmartPower® 7-Speed Electronic Blender onto a flat, sturdy surface. It is important that the surface be clean and dry. Assemble the blender by following the assembly instructions. Once the jar is assembled and is in position on the motor base, plug the Cuisinart® SmartPower® Electronic Blender into an electrical outlet.
2. Add all necessary ingredients to the blender jar, and replace the cover. You may add more ingredients by lifting the measured pour lid and dropping ingredients through the fill area. Replace the measured pour lid after adding ingredients. **Do not place hands into blender jar with blender plugged in.**

Note: Add liquid ingredients first, then follow with solid ingredients. This will provide more consistent blending and prevent unnecessary stress on the motor.

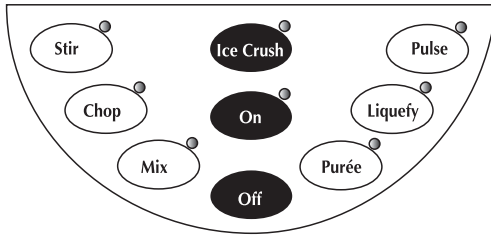
Note: To remove blender jar cover, lift edge of cover upwards. Lifting measured pour lid will not remove cover.

3. **To start blending:** Press the On button. The red On LED light will flash, indicating that the blender is turned on but no speed has been selected.
4. **Press the desired blending speed:** Both the On indicator light and the activated speed indicator light will glow. The blender will now be functioning at the desired speed. It is possible to switch speeds without pressing the Off button, by simply pushing the next desired speed button.
5. **To stop the blending process:** Re-press the activated speed button. The blending process will stop. The red On indicator light will continue to flash to let you know that the blender is still on and can be reactivated by pushing the desired speed button. The blender can be completely deactivated and stopped at any speed by pushing the Off button. You will need to press the On button again to continue blending.

HELPFUL REMINDERS

- Once the cover is in position, additional ingredients can be added during blending by simply lifting the measured pour lid, adding ingredients, and replacing the measured pour lid.
- Cover should always be in place while the unit is on.
- **Warning:** Do not place blender jar onto base while motor is running.
- Do not twist locking ring from blender jar when removing blender jar from base. Simply lift blender jar from motor base.
- Boiling liquid or solid frozen foods (with the exception of ice cubes or ½-inch [1.3 cm] pieces of frozen fruit) should never be placed in the blender jar.

6. **To reset the unit:** This appliance features an advanced resettable thermal fuse. In the event of an overload condition, the unit will shut down to protect the motor from overheating. To reset the appliance when this happens, unplug the unit and let it cool for a minimum of 15 minutes. Then, reduce the contents of the blender jar or work bowl and/or clear any jams. Restart the unit as noted in the operating directions.
7. **Pulse mode:** While the blender is turned on, you can create a burst of power for quick, efficient blending, by activating the pulse function. To do so, first push the Pulse button, which will cause the pulse indicator light to flash. Next, push and release the desired speed button. Repeat as desired. You determine the duration of each pulse. While pulsing, all indicator lights (the on, the pulse, and the



desired speed) will glow. The pulse function can be used to break apart larger pieces of food or to control the texture of food when chopping. The pulse function is also effective in starting the blending process when you do not want continuous power, or when processing items which do not require an extended amount of blending.

8. **To crush ice:** The SmartPower® 7-Speed Electronic Blender motor is strong enough to crush ice without liquid at any speed; however, for your convenience, we have preset the best speed for ice crushing. To give you greater control, the ice crush function automatically operates as a pulse function. To crush ice, place ice cubes in the blender jar, and place the cover and the measured pour lid on the blender jar. Press the On button. Press the Ice Crush button in short pulses until ice is crushed to desired consistency. See the Recipe Tips section on page 8 for more details.

QUICK REFERENCE GUIDE

To activate blender	Press On – The blender is in On mode.
To begin blending	Press desired speed button.
To change speeds	Press desired speed button.
To pulse	In On mode press Pulse, then press and release desired speed button as needed.
To crush ice	In On mode, press and release Ice crush button as needed.
To stop blending (and deactivate blender)	Press Off button.
To stop blending (in pulse or ice crush mode)	Release button.
To stop blending in stir, Chop, Mix, Purée, or Liquefy Mode	Press speed button again. This will return the blender to On mode. Press Off button to turn blender off.

SPEED SELECTION GUIDE

Refer to this guide to choose the best blender speed for your desired result.

Ingredient/Recipe	Speed	Result
Reconstituting frozen juice concentrate	Stir	Smooth and full-bodied
Mayonnaise	Stir	Thick and creamy
Salad dressings	Stir	Desired consistency
Nuts (shelled, ½ cup or less at a time)	Chop	Coarse to fine
Heavy or whipping cream	Mix	Thick creamy topping
Bread, cookies or crackers (add ½-inch pieces, 1 cup or less at a time)	Mix	Coarse to fine as desired
Grating/chopping citrus zest (add 1 to 2 tsp. sugar or salt from recipe)	Purée	Uniformly fine
Baby food/fruit and vegetable purée	Purée	Smooth and creamy
Smoothies, shakes, health drinks	Liquefy	Smooth, creamy and thick
Frozen cocktails	Liquefy	Thick and slushy
Hard cheeses	Liquefy	Coarse to fine
Spices	Liquefy	Coarse to fine
Ice	Ice Crush	Coarse crush to snowy

-
9. **To dislodge food:** Use a rubber or plastic spatula to help remove food lodged around the cutting assembly. Do not use spatula until you have turned the blender off. Replace the cover and measured pour lid and continue blending, if necessary. Make sure spatula is not inside the blender jar before blending.
 10. **When finished blending:** Press the Off button and unplug the blender from the electrical outlet. Never remove the blender jar from the motor base until the blender is off. Do not twist locking ring from blender jar when removing jar from motor base. Simply lift blender jar from motor base. Do not place hands into blender jar with blender plugged in.

CLEANING AND MAINTENANCE

Always unplug your Cuisinart® SmartPower® 7-Speed Electronic Blender from the electrical outlet before cleaning. The blender is made of corrosion-resistant parts which are easy to clean. Before first use and after every use, clean each part thoroughly. Periodically check all parts before reassembly. If any part is damaged or blender jar is chipped or cracked, DO NOT USE BLENDER.

Remove the blender jar from the motor base by lifting straight up and away. Twist off the locking ring by turning counterclockwise.

Remove the cutting assembly and rubber gasket. Wash in warm soapy water, rinse, and dry thoroughly. Place the locking ring in the upper rack of the dishwasher or wash in warm water.

CAUTION: Handle the cutting assembly carefully. It is SHARP and may cause injury. Do not attempt to remove blades from cutting assembly.

Remove the blender jar cover and the measured pour lid. Wash in warm, soapy water; rinse and dry thoroughly, or place in upper rack of dishwasher. The blender jar must be washed in warm soapy water and rinsed and dried thoroughly. The blender jar can also be placed upside down in dishwasher.

Finally, wipe the motor base clean with a damp cloth to remove any residue, and dry thoroughly. Never submerge the motor base in water or other liquid, or place in a dishwasher.

Any other servicing should be performed by an authorized service representative.

Tip: You may wish to clean your blender cutting assembly as follows: Squirt a small amount of dishwashing liquid into assembled blender jar and fill halfway with warm water. Run on STIR for 15 seconds. Repeat, using clean tap water. Empty blender jar and carefully disassemble parts. Wash cutting

assembly, gasket and locking ring in warm, soapy water. Rinse and dry all parts thoroughly.

DOs and DON'Ts WHEN USING YOUR BLENDER

Do:

- Make sure the electrical outlet is rated at the same voltage as that stated on the bottom of the blender motor base.
- Always use the blender on a clean, sturdy and dry surface.
- Always add liquid ingredients to the blender jar first, then add remaining ingredients. This will ensure that ingredients are uniformly mixed.
- Cut most foods into cubes approximately ½ inch (1.3 cm) to 1 inch (2.5 cm) to achieve a more uniform result. Cut all cheeses into pieces no larger than ½ inch (1.3 cm).
- Use the measured pour lid to measure liquid ingredients such as alcohol. Replace measured pour lid after ingredients have been added.
- Use a rubber or plastic spatula as needed, only when the blender is turned off. Never use metal utensils, as damage may occur to the blender jar or cutting assembly.
- Place cover on firmly. Always operate the blender with the cover on.
- Make sure locking ring is tightly attached to blender jar.
- Always remove locking ring, cutting assembly, and rubber gasket before cleaning.
- When scraping the blender jar with a spatula, remove the food from the sides of the blender jar and place food in the center of the blender jar, over the cutting assembly.
- When chopping fresh herbs, garlic, onion, zest, bread crumbs, nuts, spices, etc., make sure the blender jar and cutting assembly are completely dry.
- If food tends to stick to the sides of the blender jar when blending, pulse in short bursts.
- Pulses should be short bursts. Space the pulses so the blades stop rotating between pulses.

Don't:

- Don't store food or liquids in your blender jar.
- Don't place cutting assembly and locking ring onto motor base without the blender jar attached.
- Blender will not mash potatoes, knead heavy dough, or beat egg whites.
- Don't remove blender jar while unit is on. Keep the blender jar cover on the blender jar while blending.
- Don't twist locking ring from blender jar when removing blender jar from motor base. Simply lift blender jar from motor base.
- Don't overprocess foods. Blender will achieve most desired results in seconds, not minutes.
- Don't overload blender. If the motor stalls, turn the blender off immediately, unplug the unit, and remove a portion of the food, then continue.
- Don't use any utensil inside the blender jar while the motor is on.
- Don't use any container or accessories not recommended by Cuisinart. Doing so may result in injury.
- Don't place hands inside the blender jar when blender is plugged in.
- Don't add boiling liquids or frozen foods (except ice cubes or ½ inch pieces of frozen fruit) to glass blender jar. Boiling liquids should cool for 5 minutes before being placed in blender jar.

RECIPE TIPS

The simple recipes that follow include some old Cuisinart favorites as well as some creative combinations that are sure to please your friends and family. Thanks to the superior ice crushing power of the SmartPower® 7-Speed Electronic Blender, you'll also be able to make delicious frozen drinks.

Chopping Nuts

Pulse ½ cup of nuts (shells removed) on chop 4 to 5 times. Turn blender off; scrape blender jar with spatula. Turn blender on and pulse on Chop 2 to 3 times. Turn blender off. Pulse fewer times for more coarsely chopped results. For best results, process no more than 1 cup at a time.

Bread, Cookie or Cracker Crumbs

For best results, use day old bread (drier bread works best). Break bread slices into ½ inch pieces, and process no more than 1 cup of pieces at a time on mix for 5 to 10 seconds. Crackers and cookies should also be broken into ½ inch pieces; process 1 cup at a time on Mix for 10 to 15 seconds. Turn blender off.

Crushing Ice

Add up to 10 large ice cubes to blender jar. Press the Ice Crush button, using short bursts, 10 times, or until cubes are the consistency of snow. Turn blender off. Pulse fewer times if coarsely chopped ice is desired.

Grating Citrus Zest

For best results, blender jar and cutting assembly must be clean and dry. Remove zest from fruit in strips (using vegetable peeler). Use no more than 8 strips at a time (zest of one medium lemon). Cut strips in half. Add strips and 1 teaspoon sugar (from recipe) to the blender jar. Blend on Liquefy for 15 to 20 seconds. Turn blender off.

Baby Food

Combine ½ cup cooked vegetables, fruit or meat with 3 tablespoons liquid (water, milk or fruit juice) in the blender jar. Blend on Purée for 15 to 20 seconds. Add more liquid if necessary and process again. Turn blender off.

Grinding Hard Cheese

Cut cheese into ½ inch pieces. Blend on Liquefy for 30 seconds. Turn blender off. For best results, grind no more than 3 ounces of cheese at a time.

Grinding Spices

For best results, blender jar and cutting assembly must be clean and dry. Add ¼ to ½ cup of spices/seeds/peppercorns to blender jar. Blend on Liquefy for 30 to 35 seconds. Turn blender off.

Whipping Cream

Whip 1 cup of cream (whipping or heavy cream) at a time. Blend on Mix, and process for 45 to 60 seconds or until creamy and smooth. If making sweetened cream, add sugar after 10 seconds. Turn blender off. Makes about 1 cup.

Puréeing Sun-Dried Tomatoes

Rehydrate 1 ounce of tomatoes in 1 cup boiling water. Allow to sit for 10 minutes or until softened. Add tomatoes and water to blender jar. Cover and pulse on Liquefy 5 times; then run continuously on Liquefy for 15 to 20 seconds. Turn blender off. Drain in fine strainer if desired. Makes about ½ cup of puréed tomatoes.

RECIPES

Frozen Beverages

Frozen Cranberry-Orange Mimosas

Makes ten 5½-ounce servings

- 1 cup cranberry juice cocktail, chilled**
- 1 cup orange juice, chilled**
- 1½ cups ice cubes**
- 1 bottle (750 ml) brut champagne, chilled**

Place cranberry juice, orange juice, and ice cubes in jar of Cuisinart® SmartPower® 7-Speed Electronic Blender in order listed. Place cover on jar. Turn blender on and process on Liquefy until thick and frothy, about 30 to 40 seconds. Turn blender off.

Pour ⅓ cup juice mixture into each champagne glass. Top with chilled champagne. Serve immediately.

Nutritional information per serving:

*Calories 32 (0% from fat) • carb. 8g • pro. 0g • fat 0g • sat. fat 0g
• chol. 0mg • sod. 14mg • calc. 3mg • fiber 1g*

Frozen Fruit Daiquiri

Makes five 4-ounce servings

- 4 ounces frozen limeade concentrate, thawed**
- 3 ounces light rum**
- 2 cups ice cubes**
- 1 cup ripe fruit, cut into 1-inch pieces
(strawberries, bananas, peaches)**

Place ingredients in jar of Cuisinart® SmartPower® 7-Speed Electronic Blender in order listed. Place cover on jar. Turn blender on and process on Liquefy until slushy, about 45 to 50 seconds. Turn blender off. Serve immediately.

Nutritional analysis per serving:

*Calories 90 (0% from fat) • carb. 13g • pro. 0g • fat 0g • sat. fat 0g
• chol. 0mg • sod. 3mg • calc. 5mg • fiber 1g*

Frozen Daiquiri

Makes four 4-ounce servings

- 4 ounces frozen limeade concentrate, thawed**
- 3 ounces light rum**
- 2 cups ice cubes**

Place ingredients in jar of Cuisinart® SmartPower® 7-Speed Electronic Blender in order listed. Place cover on jar. Turn blender on and process on Liquefy until slushy, about 45 to 50 seconds. Turn blender off. Serve immediately.

Nutritional information per serving:

*Calories 105 (0% from fat) • carb. 14g • pro. 0g • fat 0g • sat. fat 0g
• chol. 0mg • sod. 4mg • calc 0mg • fiber 0g*

Rum and Orange Freeze

Makes four 4-ounce servings

- 1 cup orange juice**
- 1½ ounces dark rum**
- 1 cup ice cubes**

Place ingredients in jar of Cuisinart® SmartPower® 7-Speed Electronic Blender in order listed. Place cover on jar. Turn blender on and process on Liquefy until slushy, about 30 seconds. Turn blender off. Serve immediately.

Nutritional information per serving:

*Calories 45 (0% from fat) • carb. 6g • pro. 0g • fat 0g • sat. fat 0g
• chol. 0mg • sod. 2mg • calc. 6mg • fiber 0g*

Margarita

Makes four 4-ounce servings

- ½ cup lime juice**
- 4 ounces tequila**
- 1 tablespoon granulated sugar**
- 2 cups ice cubes**

Place ingredients in jar of Cuisinart® SmartPower® 7-Speed Electronic Blender in order listed. Place cover on jar. Turn blender on and process on Liquefy until slushy, about 45 to 60 seconds. Turn blender off. Serve immediately.

Nutritional information per serving:

*Calories 94 (0% from fat) • carb. 6g • pro. 0g • fat 0g • sat. fat 0g
• chol. 0mg • sod. 4mg • calc. 4mg • fiber 0g*

Piña Colada

Makes two 6-ounce servings

- ½ cup unsweetened pineapple juice**
- 2 ounces sweetened cream of coconut**
- 2 ounces dark rum**
- 1 cup ice cubes**

Place ingredients in jar of Cuisinart® SmartPower® 7-Speed Electronic Blender in order listed. Place cover on jar. Turn blender on and process on Liquefy until slushy, about 45 to 50 seconds. Turn blender off. Serve immediately.

Nutritional information per serving:

*Calories 143 (25% from fat) • carb. 10g • pro. 1g • fat 4g • sat. fat 2g
• chol. 11mg • sod. 17mg • calc. 14mg • fiber 1g*

Milk Shakes/Frappes

Orange Creamsicle

Makes one 12-ounce serving

- ¾ cup fat-free milk**
- 2 scoops (8 ounces) orange sherbet**
- 2 tablespoons instant fat-free dry milk**
- ½ teaspoon vanilla extract**

Place ingredients in jar of Cuisinart® SmartPower® 7-Speed Electronic Blender in order listed. Place cover on jar. Turn blender on and process on Liquefy until smooth, about 30 seconds. Turn blender off. Serve immediately.

Nutritional information per serving:

*Calories 396 (9% from fat) • carb. 76g • pro. 14g • fat 4g • sat. fat 3g
• chol. 20mg • sod. 265mg • calc. 411mg • fiber 5g*

Chocolate Milk Shake

Makes two 8-ounce servings

- 1 cup reduced fat milk**
- 1 scoop (4 ounces) vanilla ice cream**
- 2 tablespoons chocolate syrup**

Place ingredients in jar of Cuisinart® SmartPower® 7-Speed Electronic Blender in order listed. Place cover on jar. Turn blender on and process on Purée until smooth and creamy, about 25 to 30 seconds. Serve immediately.

Variation: For a strawberry milk shake, substitute strawberry syrup and strawberry ice cream.

Nutritional information per serving:

*Calories 243 (41% from fat) • carb. 29g • pro. 7g • fat 11g • sat. fat 7g
• chol. 34mg • sod. 127mg • calc. 234mg • fiber 1g*

Cappuccino Shake

Makes four 8-ounce servings

- 1 cup espresso coffee or strong coffee**
- ½ cup half-and-half**
- ¼ cup granulated sugar***
- 1 cup ice cubes**
- ground cinnamon**

Place all ingredients except cinnamon in jar of Cuisinart® SmartPower® 7-Speed Electronic Blender in order listed. Place cover on jar. Turn blender on and process on Liquefy until smooth, about 25 to 30 seconds. Pour into glasses, and sprinkle with cinnamon. Serve immediately.

*Use less sugar (about 3 tablespoons) if a less sweet beverage is desired.

Variation: Pour mixture into ice cube trays, and freeze until solid. Place in blender jar, and crush, using Ice Crush to make a refreshing frozen dessert.

Nutritional information per serving:

*Calories 87 (31% from fat) • carb. 14g • pro. 1g • fat 3g • sat. fat 2g
• chol. 11mg • sod. 14mg • calc. 33mg • fiber 0g*

Ice Cream Soda

Makes two 12-ounce servings

- 1 cup reduced fat milk**
- 1 scoop (4 ounces) vanilla ice cream**
- 2 tablespoons chocolate syrup**
- 1 cup ginger ale**

Place milk, ice cream, and chocolate syrup in jar of Cuisinart® SmartPower® 7-Speed Electronic Blender in order listed. Place cover on jar. Turn blender on and process on Purée until smooth and creamy, about 40 to 45 seconds. Turn blender off. Divide ginger ale into two tall glasses (about 14 to 16 ounces each). Add ice cream mixture, and stir gently. Serve immediately.

Nutritional information per serving:

*Calories 287 (34% from fat) • carb. 40g • pro. 7g • fat 11g • sat. fat 7g
• chol. 34mg • sod. 136mg • calc. 238mg • fiber 1g*

Mocha Shake

Makes one 12-ounce serving

- 1 teaspoon instant coffee crystals**
- 1 tablespoon hot water**
- ½ cup reduced fat milk**
- 2 scoops (8 ounces) vanilla low-fat frozen yogurt or vanilla ice milk**
- 2 tablespoons chocolate syrup**

Dissolve coffee crystals in hot water, and place in jar of Cuisinart® SmartPower® 7-Speed Electronic Blender. Add remaining ingredients in order listed. Place cover on jar. Turn blender on and process on Purée until smooth, about 25 to 30 seconds. Turn blender off. Serve immediately.

Nutritional information per serving:

*Calories 479 (28% from fat) • carb. 71g • pro. 15g • fat 15g • sat. fat 7g
• chol. 43mg • sod. 255mg • calc. 540mg • fiber 1g*

Smoothies

All-Fruit Smoothie

Makes six 6-ounce servings

- 1/3 cup orange juice**
- 1 cup cantaloupe, cut into 1-inch pieces**
- 1 cup raspberries**
- 1 cup canned pineapple chunks, drained**
- 1 cup navel orange segments, cut into 1-inch pieces**
- 1 cup strawberries, cut into 1-inch pieces**
- 1 medium banana, cut into 1-inch pieces**
- 1 cup ice cubes**

Layer the ingredients in the jar of Cuisinart® SmartPower® 7-Speed Electronic Blender in the order listed. Do not pack fruit tightly into jar. Place cover on jar. Turn blender on and process on Liquefy until smooth, about 30 to 40 seconds. Turn blender off. Serve immediately.

Note: The riper the fruit, the sweeter the smoothie.

Nutritional information per serving:

*Calories 92 (0% from fat) • carb. 22g • pro. 1g • fat 0g • sat. fat 0g
• chol. 0mg • sod. 5mg • calc. 30mg • fiber 4g*

Banana-Pineapple Freeze

Makes two 8-ounce servings

- 1 cup unsweetened pineapple juice**
- 1/2 medium banana, cut into 1-inch pieces**
- 1/4 cup instant fat-free dry milk**
- 1 cup ice cubes**

Place ingredients in jar of Cuisinart® SmartPower® 7-Speed Electronic Blender in order listed. Place cover on jar. Turn blender on and process on Liquefy until smooth, about 25 to 30 seconds. Turn blender off. Serve immediately.

Nutritional information per serving:

*Calories 152 (0% from fat) • carb. 32g • pro. 6g • fat 0g • sat. fat 0g
• chol. 3mg • sod. 87mg • calc. 124mg • fiber 2g*

Dips/Spreads/Appetizers

For best results when blending fresh herbs, the herbs, blender jar and cutting assembly must be dry and clean.

Hummus

Makes 2 1/4 cups

- 1/2 cup fresh lemon juice**
- 2 cups canned, cooked garbanzo beans, drained**
- 2 tablespoons water**
- 4 medium garlic cloves, peeled, quartered**
- 4 tablespoons tahini (optional)**
- 1 1/2 tablespoons olive oil**
- 2 teaspoons table salt**
- 1 teaspoon chopped parsley**

Place lemon juice, garbanzo beans, water, garlic, tahini, olive oil and salt in jar of Cuisinart® SmartPower® 7-Speed Electronic Blender in order listed. Place cover on jar. Turn blender on and process on Liquefy until smooth, about 20 seconds. Turn blender off. Scrape blender jar with a spatula. Turn blender on and process an additional 25 to 30 seconds until smooth. Turn blender off. Transfer to a serving dish, and sprinkle with parsley. Serve at room temperature.

Nutritional information per tablespoon:

*Calories 40 (27% from fat) • carb. 6g • pro. 1g • fat 1g • sat. fat 0g
• chol. 0mg • sod. 69mg • calc. 12mg • fiber 1g*

Minted Yogurt Sauce

Makes two cups

- 2 cups lowfat vanilla yogurt**
- 1 tablespoon granulated sugar**
- 3 tablespoons fresh mint leaves**

Place ingredients in jar of Cuisinart® SmartPower® 7-Speed Electronic Blender. Place cover on jar. Turn blender on and process on Purée until well blended, about 10 to 15 seconds. Turn blender off. Serve chilled with fresh fruit.

Variation: Substitute fruit-flavored yogurt.

Nutritional information per tablespoon:

*Calories 16 (0% from fat) • carb. 3g • pro. 1g • fat 0g • sat. fat 0g
• chol. 1mg • sod. 8mg • calc. 27mg • fiber 0mg*

Mexican Salsa Cruda

Makes two cups

- 1 (28-ounce cans) plum tomatoes, drained**
- ¼ cup fresh cilantro leaves**
- 2 jalapeño peppers, halved, seeded, cut into ½-inch pieces**
- 1 small onion, peeled, cut into ½-inch pieces**
- 1 teaspoon fresh lime juice**
- 1 teaspoon table salt**

Place ingredients in jar of Cuisinart® SmartPower® 7-Speed Electronic Blender in order listed. Place cover on jar. Turn blender on and pulse on Mix 5 to 6 times until coarsely chopped. Turn blender off. Allow to sit for 1 to 2 hours to develop flavor. Drain before serving if a thicker salsa is desired.

Nutritional information per tablespoon:

*Calories 8 (0% from fat) • carb. 2g • pro. 0g • fat 0g • sat. fat 0g
• chol. 0mg • sod. 76mg • calc. 3mg • fiber 0g*

Spicy Crabmeat Dip

Makes 1¾ cups

- ⅓ cup whole or reduced fat milk**
- 1 cup lowfat sour cream**
- ¼ cup lowfat mayonnaise**
- 1 can (6 ounces) crabmeat, drained (about ¾ cup)**
- 1 tablespoon fresh chopped chives**
- 1½ teaspoons prepared horseradish**
- ¼ teaspoon ground white pepper**

Place ingredients in jar of Cuisinart® SmartPower® 7-Speed Electronic Blender in order listed. Place cover on jar. Turn blender on and process on Purée until well blended, about 20 to 25 seconds. Turn blender off. Scrape jar with a spatula. Turn blender on and process an additional 20 to 25 seconds until well combined. Refrigerate 1 to 2 hours before serving to develop flavor.

Nutritional information per tablespoon:

*Calories 34 (53% from fat) • carbo. 2g • prot. 2g • fat 2g • sat. fat 1g
• chol. 15mg • sod. 91mg • calc. 23mg • fiber 0g*

Chunky Guacamole

Makes 1½ cups

- ¼ cup fresh cilantro leaves**
- 1 medium garlic clove, peeled, quartered**
- 1 small scallion, trimmed, cut into 1 inch pieces**
- ½ small green chili, seeded and quartered**
- ¼ teaspoon table salt**
- ⅛ teaspoon chili powder**
- ½ cup nonfat plain yogurt**
- 2 tablespoons fresh lemon juice**
- 1 small plum tomato, cut into ½ inch pieces**
- 2 small ripe avocados, peeled, pits removed, cut into ½- inch pieces**

Place cilantro, garlic, scallion, chili, salt, and chili powder in jar of Cuisinart® SmartPower® 7-Speed Electronic Blender. Place cover on jar. Turn blender on and pulse on Stir until coarsely chopped, about 5 to 6 times. Add yogurt, lemon juice, and tomato pieces. Pulse on Stir until coarsely chopped (about 5 times), then run continuously on stir until combined, about 10 seconds. Add avocado pieces, and pulse on Stir to combine, about 10 times. Turn blender off. Scrape jar with a spatula. Turn blender on. Run continuously on Stir until combined, but still chunky, about 10 seconds. Turn blender off.

Tip: To prevent browning, bury the pit in the center of the mixture for serving or storage.

Nutritional information per tablespoon:

*Calories 39 (69% from fat) • carbo. 2g • prot. 1g • fat 3g • sat. fat 0g
• chol. 0mg • sod. 30mg • calc. 13mg • fiber 1g*

Sauces/Dressings

Chocolate Sauce

Makes six tablespoons

3 1-ounce squares semisweet chocolate, each broken into 8 pieces

1½ teaspoons granulated sugar

¼ cup boiling water, cooled for 5 minutes

Place chocolate and sugar in jar of Cuisinart® SmartPower® 7-Speed Electronic Blender. Place cover on jar. Turn blender on and process on Liquefy until coarsely chopped, about 10 to 15 seconds. Add water, and process on Liquefy until smooth, about 10 seconds. Turn blender off. Serve immediately or cool and refrigerate in an airtight container for up to 4 weeks. Reheat before serving.

Nutritional information per tablespoon:

*Calories 85 (53% from fat) • carb. 9g • pro. 1g • fat 5g • sat. fat 3g
• chol. 0mg • sod. 0mg • calc. 5mg • fiber 1g*

NonFat Herbed Salad Dressing

Makes one cup

1 cup fresh parsley

1 small shallot, peeled and quartered

1½ tablespoons fresh dill weed

1 tablespoon celery seed

1 tablespoon fresh cilantro

1 tablespoon fresh oregano

¼ teaspoon ground white pepper

¼ teaspoon kosher salt

⅓ cup fat-free milk

½ cup fat-free plain yogurt

1 tablespoon fresh lemon juice

1 tablespoon Dijon mustard

1 tablespoon balsamic vinegar

Place parsley, shallot, dill, celery seed, cilantro, oregano, pepper, and salt in the jar of Cuisinart® SmartPower® 7-Speed Electronic Blender. Place cover on jar. Turn blender on and pulse on Stir until coarsely chopped, about 5 times. Turn blender off.

Scrape jar with a spatula. Turn blender on and pulse on Stir 5 times. Add milk, yogurt, lemon juice, mustard, and vinegar in order listed; process on Stir until well blended, about 15 to 20 seconds. Turn blender off. Store in the refrigerator for up to 2 weeks in an airtight container.

Nutritional information per tablespoon:

*Calories 12 (0% from fat) • carbo. 2g • prot. 1g • fat 0g • sat. fat 0g
• chol. 0mg • sod. 71mg • calc. 38mg • fiber 0g*

Tomato Sauce

Makes four servings

1 can (28-ounces) Italian plum tomatoes, drained

2 medium shallots, peeled, cut into ½-inch pieces

½ teaspoon dried oregano

½ teaspoon table salt

½ teaspoon granulated sugar

Place ingredients in jar of Cuisinart® SmartPower® 7-Speed Electronic Blender in order listed. Place cover on jar. Turn blender on and process on Purée until coarsely chopped, about 10 to 15 seconds. Turn blender off. Transfer to skillet or saucepan; simmer over medium-low heat, stirring occasionally, until thick, about 20 to 30 minutes.

Note: Purée 20 to 25 seconds for a smoother sauce.

Nutritional analysis per serving:

*Calories 57 (16% from fat) • carb. 10g • pro. 2g • fat 1g • sat. fat 0g
• chol. 0mg • sod. 312mg • calc. 25mg • fiber 2g*

Pesto Sauce

Makes eight servings

3 ounces Parmesan cut into ½-inch pieces

3 small garlic cloves, peeled and quartered

¾ cup extra virgin olive oil

2 cups fresh basil leaves, loosely packed

¼ cup toasted pine nuts

Place cheese in jar of Cuisinart® SmartPower® 7-Speed Electronic Blender. Place cover on jar. Turn blender on and blend on Liquefy until finely ground, about 30 seconds. Reserve. Add garlic, and blend on Liquefy until minced, about 15 seconds. Add remaining ingredients in order listed including reserved cheese; blend on

Liquefy until combined, about 45 to 50 seconds. Turn blender off. Pesto may be stored in refrigerator, in an airtight container, for up to 5 days. It also freezes well.

Nutritional analysis per serving:

Calories 262 (89% from fat) • carbo. 2g • prot. 5g • fat 26g • sat. fat 5g
• chol. 8mg • sod. 202mg • calc. 137mg • fiber 1g

Raspberry Sauce

Makes eight servings

12 ounces frozen raspberries, thawed, at room temperature
(about 1½ cups)

1 tablespoon granulated sugar

Place raspberries and sugar in jar of Cuisinart® SmartPower® 7-Speed Electronic Blender. Place cover on jar. Turn blender on and pulse 5 times on Purée, then run continuously on Purée until smooth, about 10 seconds. Turn blender off. Strain mixture through a fine sieve. Store in an airtight container in the refrigerator. Serve over ice cream or cheesecake.

Nutritional information per serving:

Calories 52 (0% from fat) • carb. 13g • pro. 0g • fat 0g • sat. fat 0g
• chol. 0mg • sod. 0mg • calc. 6mg • fiber 2g

Classic Mayonnaise with Cooked Eggs

Makes 1 cup

1 large egg

1 large egg yolk

½ teaspoon granulated sugar

½ teaspoon unbleached, all-purpose flour

1 tablespoon white wine vinegar

1¼ teaspoons dry mustard

½ teaspoon table salt

¼ teaspoon ground white pepper

⅔ cup (6 ounces) vegetable oil

Have ready a pie plate filled with ice cubes and cold water. Place the whole egg, egg yolk, sugar and flour in the jar of Cuisinart® SmartPower® 7-Speed Electronic Blender. Place cover on jar and press On button. Process on Stir until combined, about 5 seconds. Transfer to a 7-inch nonstick skillet. Wash the jar, blade and lid with hot water and soap; dry.

Over medium heat, using a heat-proof scraper, stir the egg mixture until it thickens to the consistency of a thin custard, about 1 to 1½ minutes. Stir for ½ minute longer, then remove the pan from the heat and place it in the prepared ice water bath, stirring the egg mixture until it is cool.

Add the cooled egg mixture to the blender jar along with the vinegar, dry mustard, salt, and pepper. Process on Stir to blend, about 15 seconds. With the machine running on stir, add the ⅔ cup of the oil in a very slow, steady stream, taking about 2 minutes. Hold the measured pour lid over the opening while adding oil to prevent splattering. The mayonnaise will thicken gradually. Stop processing once all the oil has been added and the mixture is emulsified. For a thicker mayonnaise, chill for one hour or longer before serving. Store in an airtight container in the refrigerator for up to 5 days.

Variation: Cholesterol-Free Mayonnaise: Substitute ½ cup pasteurized liquid egg substitute for the egg and egg yolk. Omit the cooking/cooling steps. Substitute olive oil for the vegetable oil.

Nutritional information per tablespoon of Classic Mayonnaise:

Calories 93 (96% from fat) • carb. 0g • pro. 1g • fat 10g • sat. fat 1g
• chol. 27mg • sod. 77mg • calc. 3mg • fiber 0g

Low-Fat Blue Cheese Dressing

Makes 1 cup

1 cup fresh parsley

⅓ cup fat-free milk

½ cup fat-free plain yogurt

2 ounces blue cheese, cut into ½-inch pieces

1 tablespoon fresh lemon juice

¼ teaspoon ground white pepper

¼ teaspoon table salt

Place parsley in the jar of Cuisinart® SmartPower® 7-Speed Electronic Blender. Place cover on jar. Turn blender on and pulse on Stir until coarsely chopped, about 5 times. Add remaining ingredients in order listed, and blend on Stir until combined, about 15 to 20 seconds. Turn blender off. Store in the refrigerator for up to 2 weeks in an airtight container.

Nutritional information per tablespoon:

Calories 17 (53% from fat) • carb. 1g • pro. 1g • fat 1g • sat. fat 1g
• chol. 3mg • sod. 96mg • calc. 46mg • fiber 0g

Classic Vinaigrette

Makes ¾ cup

- 1 small garlic clove, peeled and quartered**
- ¾ cup vegetable oil**
- ¼ cup red wine vinegar**
- 1 tablespoon Dijon mustard**
- ⅛ teaspoon ground white pepper**
- ⅛ teaspoon table salt**

Place garlic in jar of Cuisinart® SmartPower® 7-Speed Electronic Blender. Place cover on jar. Turn blender on and process on Liquefy until finely chopped, about 10 seconds. Add remaining ingredients in order listed, and blend on Stir until combined, about 15 to 20 seconds. Turn blender off. Store in refrigerator in an airtight container for up to 3 weeks.

Nutritional information per tablespoon:

*Calories 126 (100% from fat) • carb. 0g • pro. 0g • fat 14g • sat. fat 2g
• chol. 0mg • sod. 56mg • calc. 2mg • fiber 0g*

Batters

Buttermilk Pancakes

Makes sixteen 4-inch pancakes

- 1½ cups lowfat buttermilk**
- 2 large eggs**
- 1¼ cups unbleached all-purpose flour**
- 3 tablespoons vegetable oil**
- 1 tablespoon granulated sugar**
- 1 teaspoon baking soda**
- ½ teaspoon baking powder**
- ½ teaspoon table salt**
- cooking spray**

Place first eight ingredients, in order listed, in jar of Cuisinart® SmartPower® 7-Speed Electronic Blender (not vegetable oil cooking spray). Place cover on jar. Turn blender on and blend on purée for 10 seconds. Turn blender off. Scrape blender jar with a spatula. Turn blender on and blend on Purée for an additional 15 to 20 seconds. Turn blender off.

Coat a large nonstick skillet or griddle with vegetable oil cooking spray, and heat over medium heat. Pour batter into 4-inch pancakes. When they start to bubble, turn and brown the other side, about 45 seconds. Repeat with remaining batter, coating skillet with cooking spray as necessary.

Nutritional information per pancake:

*Calories 75 (36% from fat) • carb. 9g • pro. 3g • fat 3g • sat. fat 1g
• chol. 27mg • sod. 168mg • calc. 63mg • fiber 0g*

Cuisinart Crêpes

Makes sixteen crêpes (about 8-9" diameter)

- 1½ cups warm water**
- 3 tablespoons softened, unsalted butter, cut into 1-inch pieces**
- 1 cup unbleached all-purpose flour**
- 3 large eggs**
- 1 teaspoon vanilla extract**
- ½ teaspoon table salt**
- cooking spray**

Place first six ingredients, in order listed, into jar of Cuisinart® SmartPower® 7-Speed Electronic Blender (not cooking spray). Place cover on jar. Turn blender on and blend on Mix for 10 seconds. Turn blender off. Scrape blender jar with a spatula. Turn blender on and continue blending on Mix until smooth, about 5 to 10 seconds. Turn blender off.

Refrigerate in a covered container for 2 hours before using. Store in an airtight container in the refrigerator for up to 2 days. Stir well before using.

Coat a 9½-inch nonstick skillet with cooking spray, and place over medium heat. Pour 3 tablespoons batter into skillet, and swirl to coat bottom of the pan evenly with a thin film. Cook about 1 minute on each side, or until lightly browned.

Reserve crêpes. Repeat with remaining batter, coating pan with cooking spray as necessary.

Serve with creamed chicken, fresh berries or sautéed apples.

Nutritional analysis per crêpe:

*Calories 59 (46% from fat) • carb. 6g • pro. 2g • fat 3g • sat. fat 2g
• chol. 46mg • sod. 107mg • calc. 26mg • fiber 0g*

Honey Wheat Waffles

Makes six waffles (about 3 cups batter)

- 1½ cups whole milk**
- 2 large eggs**
- ¾ cup plus 2 tablespoons unbleached all-purpose flour**
- ½ cup whole wheat flour**
- 4 tablespoons unsalted butter, melted**
- 2 tablespoons honey**
- 1 teaspoon baking powder**
- 1 teaspoon pure vanilla extract**
- ½ teaspoon table salt**
- ¼ teaspoon baking soda**

Preheat waffle iron. Place ingredients in jar of Cuisinart® SmartPower® 7-Speed Electronic Blender in order listed. Place cover on jar. Turn blender on and blend on Purée for 10 seconds. Turn blender off. Scrape blender jar with spatula. Turn blender on and continue blending on Purée until smooth, about 10 to 15 seconds. Turn blender off.

Follow manufacturer's instructions to bake waffles.

Nutritional information per waffle:

*Calories 239 (41% from fat) • carb. 28g • pro. 7g • fat 11g • sat. fat 6g
• chol. 96mg • sod. 419mg • calc. 175mg • fiber 2g*

Soups

Gazpacho

Makes five 6-ounce servings

- 2 cups tomato juice, divided**
- 1 rib celery, peeled, cut into 1 inch pieces**
- 1 medium cucumber, peeled, cut in half lengthwise, seeds removed, in 1-inch pieces**
- 1 clove garlic, peeled, cut into 4 pieces**
- ½ medium green bell pepper, cored, seeded, cut into 1-inch pieces**
- 1 small jalapeño pepper, cut in half, seeds removed, cut into ¼-inch pieces**

- 4 scallions, cut into 1-inch pieces**
- 2 medium tomatoes, seeds removed, each cut into 8 pieces**
- 2 tablespoons fresh lemon juice**
- ¼ teaspoon freshly ground black pepper**

Place 1 cup tomato juice in jar of Cuisinart® SmartPower® 7-Speed Electronic Blender. Add celery and next six ingredients. Place cover on jar. Turn blender on and blend on Purée until vegetables are medium-finely chopped, about 10 to 15 seconds. Turn blender off. Place in a large serving bowl, and add remaining 1 cup tomato juice, lemon juice, and pepper; stir to combine. Chill before serving.

Nutritional information per serving:

*Calories 85 (11% from fat) • carb. 16g • pro. 3g • fat 1g • sat. fat 0g
• chol. 0mg • sod. 511mg • calc. 34mg • fiber 2g*

Cream of Asparagus Soup

Makes eight 6-ounce servings

- ¾ cup fresh parsley leaves**
- 3 tablespoons unsalted butter**
- 1 small onion, cut into 1-inch pieces**
- ¾ pound asparagus, trimmed, cut into 1-inch pieces**
- 3 cups chicken stock or broth**
- 1 cup half-and-half**
- 3 teaspoons cornstarch**
- 1½ cups cold water**
- salt and white pepper to taste**

Place parsley in the jar of Cuisinart® SmartPower® 7-Speed Electronic Blender. Place cover on blender jar. Turn blender on and pulse on Purée until coarsely chopped, about 4 to 5 times. Reserve.

Melt butter in a medium saucepan over medium heat. Add onion, and cook until soft but not brown, about 2 to 3 minutes. Add asparagus, stock, and all but 1 tablespoon of reserved parsley. Cover; bring to a boil over medium-high heat. Reduce heat to low and cook, partially covered, until asparagus is tender, about 10 to 12 minutes.

Drain vegetables, being sure to reserve the cooking liquid. Allow cooking liquid to cool 5 minutes. Add 1 cup of the cooking liquid and half of the solids to the jar. Place cover on jar. Turn blender on and blend on liquefy until smooth, about 25 to 30 seconds. Turn blender off. Return the puréed vegetable mixture to the saucepan. Repeat with remaining 1 cup liquid and vegetables. Add remaining cooking liquid and half-and-half to puréed vegetables in the saucepan; stir to combine. Stir

cornstarch into water, and add to soup. Cook, stirring often, over medium heat, until soup thickens, about 6 to 8 minutes. Do not boil. Adjust seasonings to taste; garnish with remaining parsley, and serve.

Nutritional information per serving:

*Calories 112 (64% from fat) • carb. 7g • pro. 3g • fat 8g • sat. fat 5g
• chol. 23mg • sod. 610mg • calc. 61mg • fiber 2g*

Potato-Leek Soup

Makes four 6-ounce servings

- 1** **tablespoon unsalted butter**
- 2** **medium leeks, whites only, sliced horizontally and cut into 1-inch pieces**
- 1** **small onion, in 1-inch pieces**
- 2** **medium potatoes, peeled, in 1-inch pieces**
- 1¾** **cups reduced-sodium chicken broth**
- ½** **cup water**
- ½** **teaspoon table salt**
- ¼** **teaspoon ground white pepper**
- 3** **tablespoons chopped chives (optional)**

Melt butter in a medium saucepan over medium heat. Add leeks and onion; sauté until soft but not brown, about 5 to 8 minutes; stir occasionally. Add potatoes, broth, and water; cover; bring to a boil over medium-high heat. Reduce heat to low, and simmer, uncovered, until potatoes are soft, about 10 to 15 minutes.

Drain vegetables, being sure to reserve the cooking liquid. Allow cooking liquid to cool 5 minutes. Add half of the cooking liquid and half of the solids to the jar. Place cover on jar. Turn blender on and blend on Liquefy until smooth, about 15 to 20 seconds. Turn blender off. Return the puréed vegetable mixture to the saucepan. Repeat with remaining liquid and vegetables and return vegetable mixture to saucepan. Add salt and pepper; stir to combine. Garnish with chopped chives, if desired.

Nutritional information per serving:

*Calories 208 (17% from fat) • carb. 38g • pro. 5g • fat 4g • sat. fat 1g
• chol. 0mg • sod. 380mg • calc. 48mg • fiber 4g*

Creamy Cantaloupe Soup

Makes five 6-ounce servings

- ½** **cup orange juice**
- 1** **medium cantaloupe, seeds and peel removed, cut into 1-inch pieces**
- 1** **cup plain nonfat yogurt**
- 2** **tablespoons granulated sugar***
- 2** **tablespoons port wine (optional)**
- 2** **tablespoons fresh mint leaves**

Place orange juice and cantaloupe in jar of Cuisinart® SmartPower® 7-Speed Electronic Blender. Place cover on jar. Turn blender on and blend on Purée until smooth, about 20 to 25 seconds. Add yogurt, sugar, and wine (if using). Blend on Purée until smooth, about 15 seconds. Turn blender off. Serve chilled. Garnish with mint leaves.

*Use less sugar if the cantaloupe is naturally sweet.

Nutritional information per serving:

*Calories 96 (0% from fat) • carb. 20g • pro. 4g • fat 0g • sat. fat 0g
• chol. 1mg • sod. 45mg • calc. 115mg • fiber 1g*

Corn Chowder

Makes seven 6-ounce servings

- 1** **tablespoon unsalted butter**
- 1** **medium leek, white only, washed, cut into 1-inch pieces**
- 1** **medium onion, cut into ¼-inch pieces**
- 2** **celery ribs, peeled, cut into ¼-inch pieces**
- 1** **medium potato (about 9 ounces), peeled, cut into ½-inch pieces**
- 1⅔** **cups reduced-sodium chicken broth**
- 1** **bay leaf**
- ¼** **teaspoon dried thyme**
- 1½** **cups reduced fat milk**
- 2** **cups corn kernels (fresh or frozen; thaw if frozen) divided salt and pepper to taste**

Melt butter in a medium saucepan over medium heat. Add leek and onion; cook over medium heat for 3 minutes. Add celery, and sauté until soft, about 2 minutes. Add potato, broth, bay leaf, and thyme. Cover; bring to a boil over medium-high heat. Reduce heat to low, and cook, partially covered, until potato is tender, about 8 to 10 minutes.

Place milk and 1 cup corn kernels in jar of Cuisinart® SmartPower® 7-Speed Electronic Blender. Place cover on jar. Turn blender on and blend on Liquefy until well combined, about 25 to 30 seconds. Turn blender off. Add milk mixture and remaining corn to saucepan. Season with salt and pepper, if desired. Cook gently over low heat until heated through.

Remove bay leaf before serving.

Nutritional information per serving:

*Calories 208 (17% from fat) • carb. 36g • pro. 7g • fat 4g • sat. fat 2g
• chol. 8mg • sod. 290mg • calc. 93mg • fiber 3g*

Desserts

Espresso Granita

Makes six ½-cup servings

- 2 cups hot brewed espresso**
- ½ cup granulated sugar**
- 1 cup chilled coffee**

Combine espresso and sugar in a small bowl until sugar dissolves. Pour into ice cube trays, and freeze until solid, about 8 hours. Place chilled coffee and 10 espresso cubes in jar of Cuisinart® SmartPower® 7-Speed Electronic Blender. Place cover on jar. Turn blender on and blend on Liquefy until thick, about 20 to 30 seconds. Turn blender off. Add remaining ice cubes. Turn blender on and blend until thick, about 20 seconds. Turn blender off. Serve immediately in well-chilled parfait cups. Top with a dollop of whipped cream.

Nutritional information per serving:

*Calories 68 (0% from fat) • carb. 17g • pro. 0g • fat 0g • sat. fat 0g
• chol. 0mg • sod. 1mg • calc. 3mg • fiber 0mg*

Fresh Lemon Granita

Makes eight ½-cup servings

- 2 cups granulated sugar**
- 2 cups water**

- 1½ cups fresh lemon juice (juice of about 6 lemons)**
- 1 tablespoon grated lemon zest***

Combine sugar and water in a medium saucepan, and bring to a boil over medium-high heat. Reduce heat to low, and simmer until sugar dissolves, about 3 to 4 minutes. Cool completely.** When cool, add lemon juice and zest; stir to combine. Pour into ice cube trays, and freeze until solid, about 8 hours. Place 10 frozen cubes in jar of Cuisinart® SmartPower® 7-Speed Electronic Blender. Place cover on jar. Turn blender on and press Ice Crush button 10 times or until ice is the consistency of snow. Continue crushing 10 cubes at a time until all are crushed. Turn blender off. Spoon into well-chilled parfait cups and serve immediately.

*Zest is the colored part of the citrus rind. Do not use the white pith. For best results, remove zest from the lemon with a vegetable peeler.

**Place mixture in a covered container, and store in the refrigerator overnight, or chill over an ice bath for 30 minutes.

Nutritional information per serving:

*Calories 216 (0% from fat) • carbo. 54g • prot. 0g • fat 0g • sat. fat 0g
• chol. 0mg • sod. 1mg • calc. 6mg • fiber 0mg*

Lemon Ricotta Cheesecake with Raspberry Sauce

Makes eight servings (one 9-inch cheesecake)

- 3 whole graham crackers**
- 1 tablespoon cold unsalted butter, cut into 8 pieces**
- 1 tablespoon granulated sugar**
- 4 strips lemon zest, cut in half**
- ½ cup liquid egg substitute**
- 6 tablespoons fresh lemon juice**
- 30 ounces part-skim ricotta cheese**
- ½ cup granulated sugar, divided**

Preheat oven to 325°F. Cover the outside of 9-inch springform pan with foil.

Break each graham cracker into 8 pieces and add to jar of Cuisinart® SmartPower® 7-Speed Electronic Blender. Place cover on jar. Turn blender on and blend on Mix until crushed, about 10 to 15 seconds. Add butter and 1 tablespoon sugar; blend on Mix until combined, about 10 to 15 seconds. Turn blender off. Press mixture into bottom of pan, and bake 10 minutes.

Add lemon zest and 1 teaspoon sugar to clean, dry jar. Place cover on jar. Turn blender on and blend on Liquefy for 15 to 20 seconds. Add egg substitute and remaining ingredients in the order listed; blend on Mix for 60 to 75 seconds. (It may

look as if the ingredients are not mixing; however, the blender is working. After about 30 seconds, the mixture will start to circulate in the blender jar.) Turn blender off. Pour into pre-baked crust, and bake until firm, about 1 hour. Cool completely on a wire rack, and then refrigerate at least 6 hours before serving. Serve with raspberry sauce (see page 14).

Nutritional information per serving (cheesecake only):

*Calories 251 (39% from fat) • carb. 24g • pro. 14g • fat 11g • sat. fat 6g
• chol. 37mg • sod. 211mg • calc. 299mg • fiber 0mg*

Baked Almond Custard

Makes six servings

3 large eggs

1½ cups reduced fat milk

1 cup evaporated fat-free milk

½ cup granulated sugar

1 teaspoon pure almond extract

6 teaspoons finely chopped or slivered almonds

Preheat oven to 325°F. Add first five ingredients to jar of Cuisinart® SmartPower® 7-Speed Electronic Blender (everything but almonds). Place cover on jar. Turn blender on and blend on Mix until combined, about 10 seconds. Turn blender off. Divide mixture among six 6-ounce ramekins or custard cups, filling each about ¾ full. Top each with 1 teaspoon almonds. Place ramekins in a 9x13 inch baking dish, and add hot water to reach 1 inch up the sides of the ramekins. Bake until a knife inserted in the center comes out clean, about 1 hour. Remove ramekins from water bath, and cool on a wire rack. Cover and chill in the refrigerator before serving.

Nutritional information per serving:

*Calories 181 (25% from fat) • carb. 25g • pro. 9g • fat 5g • sat. fat 2g
• chol. 112mg • sod. 111mg • calc. 230mg • fiber 0mg*

WARRANTY LIMITED THREE-YEAR WARRANTY

This warranty is available to consumers only. You are a consumer if you own a Cuisinart® SmartPower® 7-Speed Electronic Blender that was purchased at retail for personal, family or household use. Except as otherwise required under applicable law, this warranty is not available to retailers or other commercial purchasers or owners.

We warrant that your Cuisinart® SmartPower® 7-Speed Electronic Blender will be free of defects in materials and workmanship under normal home use for 3 years from the date of original purchase.

We recommend that you visit our website, www.cuisinart.com for a fast, efficient way to complete your product registration. However, product registration does not eliminate the need for the consumer to maintain the original proof of purchase in order to obtain the warranty benefits. In the event that you do not have proof of purchase date, the purchase date for purposes of this warranty will be the date of manufacture.

If your Cuisinart® SmartPower® 7-Speed Electronic Blender should prove to be defective within the warranty period, we will repair it, or if we think necessary, replace it. To obtain warranty service, simply call our toll-free number 1-800-726-0190 for additional information from our Customer Service Representatives, or send the defective product to Customer Service at Cuisinart, 7475 North Glen Harbor Blvd., Glendale, AZ 85307.

To facilitate the speed and accuracy of your return, please enclose \$10.00 for shipping and handling of the product.

Please pay by check or money order (California residents need only supply proof of purchase and should call 1-800-726-0190 for shipping instructions).

NOTE: For added protection and secure handling of any Cuisinart® product that is being returned, we recommend you use a traceable, insured delivery service. Cuisinart cannot be held responsible for in-transit damage or for packages that are not delivered to us. Lost and/or damaged products are not covered under warranty. Please be sure to include your return address, daytime phone number, description of the product defect, product model number (located on bottom of product), original date of purchase, and any other information pertinent to the product's return.

CALIFORNIA RESIDENTS ONLY:

California law provides that for In-Warranty Service, California residents have the option of returning a nonconforming product (A) to the store where it was purchased or (B) to another retail store which sells Cuisinart products of the same type.

The retail store shall then, at its discretion, either repair the product, refer the consumer to an independent repair facility, replace the product, or refund the purchase price less the amount directly attributable to the consumer's prior usage of the product. If the above two options do not result in the appropriate relief to the consumer, the consumer may then take the product to an independent repair facility if service or repair can be economically accomplished. Cuisinart and not the consumer will be responsible for the reasonable cost of such service, repair, replacement, or refund for nonconforming products under warranty.

California residents may also, according to their preference, return nonconforming products directly to Cuisinart for repair, or if necessary, replacement, by calling our Consumer Service Center toll-free at 1-800-726-0190.

Cuisinart will be responsible for the cost of the repair, replacement, and shipping and handling for such products under warranty.

BEFORE RETURNING YOUR CUISINART® PRODUCT

If you are experiencing problems with your Cuisinart® product, we suggest that you call our Cuisinart® Service Center at 1-800-726-0190 before returning the product serviced. If servicing is needed, a Representative can confirm whether the product is under warranty and direct you to the nearest service location.

Your Cuisinart® SmartPower® 7-Speed Electronic Blender has been manufactured to the strictest specifications and has been designed for use only in 120 volt outlets and only with authorized accessories and replacement parts. This warranty expressly excludes any defects or damages caused by attempted use of this unit with a converter, as well as use with accessories, replacement parts or repair service other than those authorized by Cuisinart. This warranty does not cover any damage caused by accident, misuse, shipment or other than ordinary household use. This warranty excludes all incidental or consequential damages. Some states do not allow the exclusion or limitation of these damages, so these exclusions may not apply to you. You may also have other rights, which vary from state to state.

Important: If the nonconforming product is to be served by someone other than Cuisinart's Authorized Service Center, please remind the servicer to call our Consumer Service Center at 1-800-726-0190 to ensure that the problem is properly diagnosed, the product is serviced with the correct parts, and the product is still under warranty.

Trademarks or service marks referred to herein are the trademarks or service marks of their respective owners.

©2014 Cuisinart
150 Milford Road
East Windsor, NJ 08520
Printed in China
14CE002323

B IB-7739-ESP-C

ANTES DE HACER REPARAR SU APARATO

Si su aparato tiene algún problema, le recomendamos que llame al servicio de asistencia al consumidor de Cuisinart® al 1-800-726-0190 antes de mandar el aparato. Un representante le confirmará si su aparato está bajo garantía todavía y le indicará la dirección del centro de servicio más cercano a su domicilio.

Este aparato satisface las más altas exigencias de fabricación y ha sido diseñado para uso sobre corriente de 120V, usando accesorios y piezas de repuesto autorizados solamente. Esta garantía excluye expresamente los daños causados por accesorios, piezas o reparaciones no autorizadas por Cuisinart. Esta garantía no cubre el uso institucional o comercial del producto, y no es válida en caso de daños causados por mal uso, negligencia o accidente. Esta garantía excluye expresamente todos los daños incidentales o consecuentes. Algunos Estados no permiten la exclusión o limitación de daños incidentales o consecuentes, de modo que las limitaciones mencionadas pueden no regir para usted. Usted puede tener otros derechos que varían de un Estado a otro.

Importante: Si debe llevar el aparato defectuoso a un centro de servicio no autorizado, por favor informe al personal del centro de servicio que deberían llamar al servicio de asistencia al consumidor de Cuisinart® al 1-800-726-0190 a fin de diagnosticar el problema correctamente, usar las partes correctas para repararlo y asegurarse que el producto esté bajo garantía todavía.

Todas marcas registradas o marcas de comercio mencionadas en esta pertenecen a sus titulares respectivos.

información pertinente. **NOTA:** Para mayor protección, le aconsejamos que mande su paquete por un método de entrega asegurada y con trazabilidad. Cuisinart no será responsable de los daños ocurridos durante el transporte de los paquetes no mandados a nuestra dirección. Los aparatos perdidos y/o lastimados durante el envío no serán cubiertos bajo esta garantía.

La Licuadora Electrónica Con 7 Velocidades SmartPower® de Cuisinart® satstface las mas altas exigencias de fabricación y ha sido diseñado para uso con los accesorios autorizados para la Licuadora Electrónica Con 7 Velocidades SmartPower® de Cuisinart® y las partes de repuesto para este modelo exclusivamente. Esta garantía excluye los daños causados por accesorios, partes o reparaciones no autorizados por Cuisinart®.

Esta garantía excluye los daños incidentales o consecuentes. Algunos Estados no permiten la exclusión o limitación de daños incidentales o consecuentes, de modo que las limitaciones mencionadas pueden no regir para usted.

RESIDENTES DE CALIFORNIA SOLAMENTE

La ley del estado de California ofrece dos opciones bajo el periodo de garantía. Los residentes del estado de California pueden (A) regresar el producto defectuoso a la tienda donde lo compraron o (B) regresar el aparato defectuoso a otra tienda que venda productos Cuisinart de este tipo. La tienda, a su opción, reparará el producto, referirá el consumidor a un centro de servicio independiente, cambiará el producto o reembolsará el consumidor por el precio original del producto, menos la cantidad imputable al uso del producto por el consumidor antes de que se dañe.

Si estas dos opciones no satisfacen al consumidor, puede llevar el aparato a un centro de servicio independiente, siempre en cuando se pueda ajustar o reparar de manera económica. Cuisinart, no el consumidor, será responsable por los gastos de servicio, reparación, reemplazo o reembolso de los aparatos defectuosos durante el periodo de garantía.

Los residentes de California también pueden, si lo desean, mandar el aparato defectuoso directamente a Cuisinart para que lo reparen o lo cambien si fuera necesario. Para esto, se debe llamar a la línea gratis de asistencia al consumidor al 1-800-726-0190. Cuisinart será responsable por los gastos de reparación, reemplazo, envío y manejo de los productos defectuosos durante el periodo de garantía.

Precaliente el homo en 325°F. Ponga todos los ingredientes menos las almendras en la jarra de la licuadora. Cierre la tapa. Licue durante 10 segundos, usando la función "Mix". Apague la licuadora. Divida la mezcla entre 6 cazuelitas de 6 onzas. Salpique las almendras encima de la crema. Ponga las cazuelitas en una bandeja de 9x13 pulgadas. Agregue 1 pulgada de agua caliente en la bandeja y hornee los flanes a baño maría durante 1 hora, hasta que la punta de la bandeja y permita que enfrien sobre una rejilla. Cubra los flanes y refrigérelos antes de servirlos.

Valor nutricional por porción:
Caloras 181 (25% de grasas) • carb. 25g • prot. 9g • gras. 5g • gras. sat. 2g • col. 112mg • sod. 111mg • calc. 230mg • fibra 0g

GARANTÍA LIMITADA POR 3 AÑOS

Esta garantía es para los consumidores solamente. Usted es un consumidor si ha comprado su Licuadora Electrónica Con 7 Velocidades SmartPower® de Cuisinart® en una tienda, para uso personal o casero. A excepción de los estados donde la ley lo especifique, esta garantía no es para los detallistas u otros comerciantes.

Cuisinart® garantiza la Tostadora para 4 Rebanadas contra todo defecto de materiales o fabricación durante 3 años después de la fecha de compra original, siempre en cuando el aparato haya sido utilizado para uso doméstico y según las instrucciones.

Le aconsejamos que llene y regrese por correo el formulario de inscripción adjunto a fin de facilitar la verificación de la fecha de compra original. Sin embargo, el regresar el formulario de inscripción no es necesario para recibir garantía bajo esta garantía. En ausencia del recibido de compra, el periodo de garantía será de 36 meses a partir de la fecha de fabricación.

Para obtener servicio bajo esta garantía, llame a la línea gratis de asistencia al consumidor al 1-800-726-0190 o regrese el aparato defectuoso a: Cuisinart Service Department, 7475 North Glen Harbor Blvd, Glendale, AZ 85307.

Regrese el aparato defectuoso, junto con su recibo de compra y un cheque o giro postal de \$10,00US por gastos de envío y manejo. Los residentes de California sólo necesitan dar una prueba de compra y deben llamar al 1-800-726-0190 para recibir instrucciones de envío. Incluya su nombre, dirección y teléfono, una descripción del problema, así como cualquier

Granita "Expreso"

6 porciones de ½ onza

2 tazas de café expreso caliente

½ taza de azúcar granulada

1 taza de café frío

Disuelva el azúcar en el café expreso caliente.

Congele el expreso endulzado en una bandeja para hacer cubitos de hielo durante 8 horas o más. Ponga el café frío y 10 cubitos de expreso congelado en la jarra de la licuadora. Cierre la tapa. Licue durante 20 a 30 segundos, usando la función "Liquefy". Apague la licuadora. Agregue el resto de los cubitos de expreso y siga licuando durante 20 segundos. Apague la licuadora. Sirva las granitas

inmediatamente en copas bajas. Aderece con nata montada si desea.

Valor nutricional por porción:

Calorías 68 (0% de grasa) • carb. 17g • prot. 0g • gras. 0g • fibras 0g
• col. 0mg • sod. 1mg • calc. 3mg • fibra 0g

Granita de Limón

8 porciones de ½ onza

2 tazas de azúcar granulada

2 tazas de agua

1 ½ taza de jugo de limón fresco (6 limones)

1 cucharada de corteza rallada de limón*

Ponga el agua y el azúcar a hervir a fuego medio-alto. Reduzca el fuego y cueza a fuego lento durante 3 a 4 minutos, hasta que el azúcar se haya disuelto. Saque la olla del fuego y permita que el jarabe enfrije completamente*. Agregue el jugo de limón y la corteza rallada de limón al jarabe simple. Congele la mezcla en cubitos

bandeja para hacer cubitos de hielo durante 8 horas o más. Ponga 10 cubitos congelados en la jarra de la licuadora. Cierre la tapa. Pique los usando la función "Ice Crush". Repita con el resto de los cubitos, 10 a la vez. Sirva las granitas

inmediatamente en copas bajas.

* Pele la parte amarilla de la corteza con pelapapas.

**Refrigérela en un recipiente hermético durante 12 horas o enfríelo en un baño de hielo durante 30 minutos.

Valor nutricional por porción:

Calorías 216 (0% de grasa) • carb.s 54g • prot. 0g • gras. 0g • fibras 0g
• col. 0mg • sod. 1mg • calc. 6mg • fibra 0g

Torta de Queso Ricotta Con Limón y Salsa de Frambuesa

8 porciones (1 torta de 9 pulgadas de diámetro)

3 galletas Graham, cortadas en 8 pedazos

1 cucharada de mantequilla sin sal, cortada en 8 pedazos

½ taza más 1 cucharada de azúcar granulada

4 tiras de corteza de limón, cortadas en la mitad

½ taza de sustituto de huevo líquido

6 cucharadas de jugo de limón

30 onzas de queso ricotta medio descremado

Precaliente el horno en 325°F. Cubra el exterior de un molde redondo de 9 pulgadas de diámetro con papel de aluminio.

Ponga las galletas en la jarra de la licuadora. Cierre la tapa. Procese durante 10 a 15 segundos, usando la función "Mix". Agregue la mantequilla y una cucharada de

azúcar. Procese durante 10 a 15 segundos, usando la función "Mix". Comprima la mezcla en el fondo del molde y hornéela durante 10 minutos. Lave y seque la jarra.

Ponga la corteza de limón y una cucharada del azúcar remanente en la jarra de la licuadora. Cierre la tapa. Procese durante 15 a 20 segundos, usando la función

"Liquefy". Agregue el sustituto de huevo y el resto de los ingredientes, en el orden indicado. Cierre la tapa. Licue durante 60 a 75 segundos, usando la función "Mix".

No se preocupe si parece que los ingredientes no están moviendo. La licuadora está revolviéndolos en el centro y empujará a mover después de unos 30 segundos.

Apague la licuadora. Vierta la mezcla sobre la corteza y hornée la torta durante 1 hora, hasta que quede firme. Permita que enfrije completamente sobre una rejilla y refrigérela durante 6 horas o más antes de servir. Sirvala con salsa de frambuesa

(receta en la página 14).

Valor nutricional por porción (sin salsa de frambuesa):

Calorías 251 (39% de grasa) • carb. 24g • prot. 14g • gras. 11g • gras. sat. 6g
• col. 37mg • sod. 211mg • calc. 299mg • fibra 0g

Flanes de Almendras

6 porciones

3 huevos grandes

1 ½ taza de leche baja en grasa

1 taza de leche descremada en polvo

½ taza de azúcar granulada

1 cucharadita de extracto de almendra puro

6 cucharaditas de almendras en láminas o finamente picadas

- 2** **apios, pelados y cortados en trocitos de ¼ pulgada**
1 **papa mediana, pelada y cortada en pedazos de ½ pulgada**
1 ½ **taza de caldo de pollo bajo en sodio**
1 **hoja de laurel**
¼ **cucharadita de tomillo seco**
1 ½ **taza de leche baja en grasa**
2 **tazas de choclo, fresco o descongelado**
sal y pimienta al gusto

Derrita la mantequilla en una olla media a fuego medio. Agregue el puero y la cebolla y cuézalos durante 3 minutos. Agregue el apio y satiféelo durante 2 minutos, hasta que esté tierno. Agregue la papa, el caldo, la hoja de laurel y el tomillo. Cubra la olla y deje que la sopa hierva. Reduzca el fuego y termine de cocer la sopa a fuego lento, durante 8 a 10 minutos.

Ponga la leche y 1 taza del choclo en la jarra de la licuadora. Cierre la tapa. Licue durante 25 a 30 segundos, usando la función "Liquefy". Apague la licuadora. Ponga el choclo licuado y el choclo remanente en la olla. Sazone con sal y pimienta. Termine de cocer a fuego lento. Saque la hoja de laurel antes de servir.

Valor nutricional por porción:

Calorias 208 (17% de grasa) • carb. 36g • prot. 7g • gras. 4g • gras. sat. 2g • col. 8mg • sod. 290mg • calc. 93mg • fibra 3g

Crema Fria de Melón

5 porciones de 6 onzas

- ½** **taza de jugo de naranja**
1 **melón mediano, cortado en pedazos de 1 pulgada**
1 **taza de yogur sin grasa**
2 **cucharadas de azúcar granulado**
(menos si el melón es muy dulce)
2 **cucharadas de oporto (opcional)**
2 **cucharadas de hojas de menta fresca**

Ponga el jugo de naranja y el melón en la jarra de la licuadora. Cierre la tapa. Licue durante 20 a 25 segundos, usando la función "Puree". Agregue el yogur, el azúcar y los segundos adicionales. Apague la licuadora. Refrigere la crema antes de servirla y aderece con hojas de menta.

Valor nutricional por porción:

Calorias 96 (0% de grasa) • carb. 20g • prot. 4g • gras. 0g • gras. sat. 0g • col. 1mg • sod. 45mg • calc. 115mg • fibra 1g

Crema de Choclo

7 porciones de 6 onzas

- 1** **cucharada de mantequilla sin sal**
1 **puero mediano (parte blanca solamente),**
1 **cebolla pequeña, cortada en pedazos de ¼ pulgada**

Derrita la mantequilla en una olla media a fuego medio. Agregue el puero y satiféelo durante 5 a 8 minutos hasta que esté tierno, revolviendo ocasionalmente. Agregue las papas, el caldo y el agua. Cubra la olla y deje que la sopa hierva. Reduzca el fuego y termine de cocer la sopa a fuego lento, durante 10 a 15 minutos.

Cuele la sopa, reservando los vegetales y el caldo. Permita que enfríen durante 5 minutos. Ponga la mitad de los vegetales y la mitad del caldo en la jarra de la licuadora. Cierre la tapa. Licue usando la función "Liquefy" durante 15 a 20 segundos, hasta obtener una consistencia cremosa. Apague la licuadora. Ponga la crema en la olla. Repita con la otra mitad. Sazone con sal y pimienta, al gusto.

Aderece la sopa con cebollinas picadas.

Valor nutricional por porción:

Calorias 208 (17% de grasa) • carb. 38g • prot. 5g • gras. 4g • gras. sat. 1g • col. 0mg • sod. 380mg • calc. 48mg • fibra 4g

5 porciones de 6 onzas

Gaspacho

sal y pimienta al gusto

1½ taza de agua fría

Ponga las hojas de perejil en la jarra de la licuadora y cierre la tapa. Pulse 4 o 5 veces usando la función "Purée". Retire el perejil picado de la jarra.

Derrita la mantequilla en una olla mediana. Agregue la cebolla y cuezala durante 2 a 3 minutos, hasta que esté suave, no dorada. Agregue los espárragos, el caldo y la mayonesa del perejil picado (reserve 1 cucharada). Cubra la olla y cueza a fuego medio-alto hasta que hierva. Reduzca el fuego y siga cocinando a fuego lento durante 10 a 12 minutos, hasta que los espárragos estén tiernos.

Cuele la sopa, reservando los vegetales y el caldo. Permita que enfríen durante 5 minutos. Ponga los vegetales y 1 taza del caldo en la jarra de la licuadora. Cierre la tapa. Licue usando la función "Liquefy" durante 25 a 30 segundos, hasta obtener una consistencia cremosa. Apague la licuadora. Combine el caldo remanente y los vegetales licuados en la olla. Agregue la crema half-and-half. Disuelva el almidón de maíz en agua fría y agregue la mezcla a la crema. Sazone con sal y pimienta. Cueza la crema a fuego medio durante 5 a 8 minutos, hasta que espese. No permita que hierva. Sirvala en platos calentados. Adecere con perejil.

Valor nutricional por porción:

Calorías 112 (64% de grasa) • carb. 7g • prot. 3g • gras. 8g • gras. sat. 5g • col. 23mg • sod. 610mg • calc. 61mg • fibra 2g

Crema de Papas Con Puerto

4 porciones de 6 onzas

1 cucharada de mantequilla sin sal

2 pueros medianos (parte blanca solamente),

cortados horizontalmente luego en trozos de 1 pulgada

1 cebolla pequeña, cortada en pedazos de 1 pulgada

2 papas medianas, peladas y cortadas en pedazos de 1 pulgada

1¾ taza de caldo de pollo bajo en sodio

½ taza de agua

½ cucharadita de sal

¼ cucharadita de pimienta blanca molida

3 cucharadas de cebollinas picadas (opcional)

2 tazas de jugo de tomates

1 apio, cortado en trozos de 1 pulgada

1 pepino mediano, pelado, sin semillas, cortado

½ longitudinally en la mitad y en trozos de 1 pulgada

1 diente de ajo, cortado en cuartos

½ pimienta verde, sin semillas y cortado en pedazos de 1 pulgada

1 jalapeño pequeño, sin semillas y cortado en pedacitos de ½ pulgada

4 cebolletas, cortadas en trozos de 1 pulgada

2 tomates medios, sin semillas y cortados en 8 pedazos

2 cucharadas de jugo de limón fresco

½ cucharadita de sal

¼ cucharadita de pimienta blanca recién molida

Ponga 1 taza del jugo de tomate en la jarra de la licuadora. Agregue el apio, el pepino, el ajo, el pimienta verde, el jalapeño, las cebolletas y los tomates. Licue durante 10 a 15 segundos, usando la función "Purée". Apague la licuadora. Ponga los vegetales licuados en un plato de servir. Agregue el jugo de tomate remanente, el jugo de limón y la pimienta. Mezcle. Refrigérello antes de servirlo.

Valor nutricional por porción:

Calorías 85 (11% de grasa) • carb. 16g • prot. 3g • gras. 1g • gras. sat. 0g • col. 0mg • sod. 51mg • calc. 34mg • fibra 2g

Crema de Espárragos

8 porciones de 6 onzas

¾ taza de perejil italiano fresco

3 cucharadas de mantequilla sin sal

1 cebolla pequeña, cortada en pedazos de 1 pulgada

¾ libra de espárragos frescos, cortados en trozos de 1 pulgada

3 tazas de caldo de pollo

1 taza de crema half-and-half

3 cucharaditas de almidón de maíz

1¼ taza de harina

3 cucharadas de aceite vegetal

1 cucharada de azúcar granulada

1 cucharadita de bicarbonato de soda

½ cucharadita de levadura en polvo

½ cucharadita de sal

aceite en Spray para cocinar

Ponga todos los ingredientes menos el aceite en Spray en la jarra de la licuadora.

Cierre la tapa. Licue durante 10 segundos, usando la función "Puree". Apague la licuadora. Raspe los lados de la jarra con una espátula. Siga licuando durante 15 a 20 segundos. Apague la licuadora.

Engrase un sartén ancho con el aceite en Spray y póngalo a calentar a fuego medio.

Vierta la mezcla en el sartén caliente, formando pancaques de

4 pulgadas. Cuando empiecen a burbujear, voltee los y cueza el otro lado durante 45 segundos. Repita con el resto de la mezcla, volviendo a engrasar el sartén si fuera necesario.

Valor nutricional por pancake:

Calorías 75 (36% de grasa) • carb. 9g • prot. 3g • gras. 3g • gras. sat. 1g • col. 27mg • sod. 168mg • calc. 63mg • fibra 0g

Crêpes Cuisinart

16 crêpes de 8-9 pulgadas

1½ taza de agua caliente

3 cucharadas de mantequilla sin sal, cortada en pedazos

de 1 pulgada y a temperatura ambiente

1 taza de harina

3 huevos grandes

1 cucharadita de extracto de vainilla puro

½ cucharadita de sal

aceite en Spray para cocinar

Ponga todos los ingredientes menos el aceite en Spray en la jarra de la licuadora.

Cierre la tapa. Licue durante 10 segundos, usando la función "Mix". Apague la licuadora. Raspe los lados de la jarra con una espátula. Siga licuando durante 5 a 10 segundos. Apague la licuadora.

Refrigere la mezcla en un recipiente cubierto durante 2 horas. Se podrá conservar en un recipiente hermético durante 2 días. Revuelva la mezcla antes de usarla.

Gofres de Trigo Integro Con Miel

6 gofres (3 tazas de mezcla)

1½ taza de leche entera

2 nuevos grandes

taza más 2 cucharadas de harina blanca

½ taza de harina de trigo integral

4 cucharadas de mantequilla sin sal, derretida

2 cucharadas de miel

1 cucharadita de levadura en polvo

1 cucharadita de extracto de vainilla puro

½ cucharadita de sal

¼ cucharadita de bicarbonato de soda

Precaliente la gofrera. Ponga todos los ingredientes en la jarra de la licuadora, en el orden indicado. Cierre la tapa. Licue durante 10 segundos, usando la función "Puree". Apague la licuadora. Raspe los lados de la jarra con una espátula.

Licue durante 10 a 15 segundos adicionales, usando la función "Puree". Apague la licuadora.

Prepare los gofres, según las instrucciones del fabricante.

Valor nutricional por gofre:

Calorías 239 (41% de grasa) • carb. 28g • prot. 7g • gras. 11g • gras. sat. 6g • col. 96mg • sod. 419mg • calc. 175mg • fibra 2g

1/2	cucharadita de azúcar
1/2	cucharadita de harina
1	cucharada de vinagre de vino blanco
1 1/4	cucharadita de mostaza
1/2	cucharadita de sal
1/4	cucharadita de pimienta blanca molida
2/3	taza de aceite vegetal

Llene un plato hondo con agua fría y cubitos de hielo. Resérvelo.

Ponga el huevo, la yema, el azúcar y la harina en la jarra de la licuadora. Cierre la tapa. Licue durante 5 segundos, usando la función "Stir". Vierta la mezcla en una olla pequeña. Lave y seque la jarra.

Cueza la mezcla de nuevo a fuego medio durante 1 a 1 1/2 minuto, revolviendo con una espátula a prueba de calor. Siga revolviendo durante 1/2 minuto, retire la olla del fuego y pongáala en el plato con hielo. Revuelva la mezcla hasta que enfrie.

Ponga la mezcla en la jarra de la licuadora y agregue el vinagre, la mostaza, la sal y la pimienta. Licue durante 15 segundos, usando la función "Stir". Sin apagar la licuadora, agregue el aceite vegetal muy lentamente por el tapón, en el curso de 2 minutos. La mayonesa se volverá más espesa a medida que agregue el aceite.

Apague la licuadora cuando la mayonesa alcance la consistencia deseada. Si desea usarla.

Refrigérela en un recipiente hermético. Se podrá conservar durante 5 días.

Variación: Para preparar mayonesa sin colesterol, utilice 1/2 taza de sustituto de nuevo pasteurizado (no lo cueza) en vez de huevos y aceite de oliva en vez de aceite vegetal.

Salsa de Queso Azul Baja en Grasa

1 taza

1 taza de perejil fresco

1/3 taza de leche descremada

1/2 taza de yogur sin grasa

2 onzas de queso azul despatado

1/4 cucharadita de pimienta blanca recién molida

Valor nutricional por cucharada:
 • col. 27mg • sod. 77mg • calc. 3mg • fibra 0g
 • col. 93 (96% de grasa) • carb. 0g • prot. 1g • gras. 10g • gras. sat. 1g

1 taza

Pancakes de Suero de Leche

1 1/2 taza de suero de leche bajo en grasa

2 huevos grandes

16 pancakes de 4 pulgadas

Mezclas

Valor nutricional por cucharada:
 • col. 0mg • sod. 56mg • calc. 2mg • fibra 0g
 • col. 126 (100% de grasa) • carb. 0g • prot. 0g • gras. 14g • gras. sat. 2g

Ponga el ajo en la jarra de la licuadora. Cierre la tapa. Pique el ajo durante 10 segundos, usando la función "Liquefy". Agregue el resto de los ingredientes, en el orden indicado. Licue durante 15 a 20 segundos, usando la función "Stir".

Apague la licuadora. Refrigera la vinagreta en un recipiente hermético. Se podrá guardar durante 3 semanas.

Vinagreta Tradicional

1 diente de ajo, cortado en cuartos

3/4 taza de aceite vegetal

1/4 taza de vinagre de vino tinto

1 cucharada de mostaza

1/8 cucharadita de pimienta recién molida

1/8 cucharadita de sal

Valor nutricional por cucharada:
 • col. 3mg • sod. 96mg • calc. 4mg • fibra 0g
 • col. 17 (53% de grasa) • carb. 1g • prot. 1g • gras. 1g • gras. sat. 1g

Ponga el perejil en la jarra de la licuadora. Cierre la tapa. Pulse 5 veces usando la función "Stir". Agregue el resto de los ingredientes en el orden indicado. Licue durante 15 a 20 segundos, usando la función "Stir". Apague la licuadora. Sírvala inmediatamente o refrigérela en un recipiente hermético. Se podrá conservar durante 2 semanas.

1/4 cucharadita de sal

Pesto

8 porciones

1 onza de queso parmesano, cortado en pedazos de ½ pulgada

3 dientes de ajo pequeños, cortados en cuartos

¾ taza de aceite de oliva puro

2 tazas de hojas de albahaca fresca

¼ taza de piñones tostados

Ponga el queso en la jarra de la licuadora. Cierre la tapa. Licue durante 30 segundos, usando la función "Liquefy". Retire el queso de la jarra. Ponga el ajo en la jarra. Cierre la tapa. Licue durante 15 segundos, usando la función "Liquefy". Agregue el resto de los ingredientes en el orden indicado, incluso el queso picado. Cierre la tapa. Licue durante 45 a 50 segundos, usando la función "Liquefy". Apague la licuadora. Refrigérela el pesto en un recipiente hermético. Se podrá conservar durante 5 días. También lo puede congelar.

Valor nutricional por porción:

Calorías 262 (89% de grasa) • carb. 2g • prot. 5g • gras. 26g • gras. sat. 5g • col. 8mg • sod. 202mg • calc. 137mg • fibra 1g

Salsa de Frambuesa

8 porciones

1½ taza (12 onzas) de frambuesas descongeladas

1 cucharadita de azúcar granulado

Ponga los ingredientes en la jarra de la licuadora. Cierre la tapa. Pulse 5 veces luego licua la salsa con colador de malla fina. Refrigérela en un recipiente hermético. Sirvala con helado o torta de queso crema.

Valor nutricional por porción:

Calorías 52 (0% de grasa) • carb. 13g • prot. 0g • gras. 0g • gras. sat. 30g • col. 0mg • sod. 0mg • calc. 6mg • fibra 2g

Mayonesa de Huevo Cocinado

1 taza

1 huevo grande

1 yema de huevo grande

1½ cucharada de eneldo fresco

1 cucharada de semillas de apio

1 cucharada de cilantro fresco

1 cucharada de orégano fresco

1 cucharada de jugo de limón fresco

½ taza de yogur sin grasa

⅓ taza de leche descremada

¼ cucharadita de sal kosher

¼ cucharadita de pimienta negra molida

1 cucharada de orégano fresco

1 cucharada de cilantro fresco

1 cucharada de semillas de apio, el chaire, el eneldo, las semillas de apio, el cilantro, el orégano, la pimienta y la sal en la jarra de la licuadora. Cierre la tapa. Pulse 5 veces, usando la función "Stir". Apague la licuadora y raspe los lados de la jarra con una espátula. Pulse 5 veces adicionales, usando la función "Stir". Agregue la leche, el yogur, el jugo de limón, la mostaza y el vinagre, en el orden indicado. Licue durante 15 a 20 segundos, usando la función "Stir". Apague la licuadora. Refrigérela el aliño en un recipiente hermético. Se podrá conservar durante 2 semanas.

Valor nutricional por cucharada:

Calorías 12 (0% de grasa) • carb. 2g • prot. 1g • gras. 0g • gras. sat. 0g • col. 0mg • sod. 71mg • calc. 38mg • fibra 0g

Salza de Tomate

4 porciones

1 lata (28 onzas) de tomates italianos, colados

2 chalotes, cortados en pedazos de ½ pulgada

½ cucharadita de orégano seco

½ cucharadita de sal

½ cucharadita de azúcar granulado

Ponga los ingredientes en la jarra de la licuadora, en el orden indicado. Cierre la tapa. Licue durante 10 a 15 segundos, usando la función "Puree". Apague la licuadora. Vierta la salsa en una olla y cuezala a fuego medio-lento durante 20 a 30 minutos.

Valor nutricional por porción:

Calorías 57 (16% de grasa) • carb. 10g • prot. 2g • gras. 1g • gras. sat. 0g • col. 0mg • sod. 372mg • calc. 25mg • fibra 2g

1 cucharadita de jugo de lima fresca

1 cucharadita de sal

Ponga todos los ingredientes en la jarra de la licuadora, en el orden indicado. Cierre la tapa. Pulse 5 o 6 veces, usando la función "Mix". Apague la licuadora. Deje reposar durante 1 a 2 horas para realizar el sabor. Si desea que la salsa sea más espesa, cuéiala antes de servir.

Valor nutricional por cucharada:

Caloras 8 (0% de grasa) • carb. 2g • prot. 0g • gras. 0g • gras. sat. 0g
• col. 1mg • sodio 7mg • calcio 3mg • fibra 0g

Crema Picante de Cangrejo

1¼ taza

¾ taza de leche entera o baja en grasa

1 taza de doble crema baja en grasa

¼ taza de mayonesa baja en grasa

¾ taza de carne de cangrejo (1 lata de 6 onzas, colada)

1 cucharada de cebollinas picadas

1½ cucharadita de salsa de rábano picante

¼ cucharadita de pimienta blanca molida

Ponga todos los ingredientes en la jarra de la licuadora, en el orden indicado. Cierre la tapa. Licue durante 20 a 25 segundos, usando la función "Purée". Apague la licuadora. Raspe los lados de la licuadora. Licue durante 20 a 25 segundos adicionales. Refrigerela durante 1 a 2 horas antes de servir para realizar el sabor.

Valor nutricional por cucharada:

Caloras 34 (53% de grasa) • carb. 2g • prot. 2g • grasa 2g • gras. sat. 1g
• col. 15mg • sod. 91mg • calc. 23mg • fibra 0g

Guacamole "Light"

1½ taza

¼ taza de hojas de cilantro

1 diente de ajo, cortado en cuartos

1 cebollita, cortada en pedazos de 1 pulgada

½ Chile, sin semilla y cortado en cuartos

¼ cucharadita de sal

½ cucharadita de Chile en polvo

½ taza de yogur sin grasa

2 cucharadas de jugo de limón fresco

1 tomate pequeño, cortado en pedazos de ½ pulgada

2 aguacates pequeños, cortados en pedazos de ½ pulgada

Ponga el cilantro, el ajo, la cebollita, el Chile, la sal y el Chile en polvo en la jarra de la licuadora. Cierre la tapa. Pulse 5 o 6 veces, usando la función "Stir". Agregue el yogur, el jugo de limón y el tomate. Pulse 5 veces, luego licue durante 10 segundos, usando la función "Stir". Agregue el jugo de limón y el tomate. Pulse 5 o 6 veces, usando la función "Stir". Apague la licuadora. Raspe los lados de la jarra con una espátula. Licue durante 10 segundos adicionales, usando la función "Stir". Apague la licuadora. Sirvalo inmediatamente o refrigérela.

Consejo: Ponga la pepa del aguacate en el centro del guacamole antes de refrigerarlo. Esto evitará que ennegrezca.

Valor nutricional por cucharada:

Caloras 39 (69% de grasa) • carb. 2g • prot. 1g • gras. 3g • gras. sat. 0g
• colesterol 0mg • sod. 30mg • calc. 13mg • fibra 1g

Salsas y Añinos

Salsa de Chocolate

6 cucharadas

3 onzas de chocolate semi-dulce, cortado en pedazos

1½ cucharadita de azúcar granulada

¼ taza de agua hervida, entriada durante 5 minutos

Ponga el chocolate y el azúcar en la jarra de la licuadora. Cierre la tapa. Licue durante 10 a 15 segundos, usando la función "Liquefy". Agregue el agua y licue durante 10 segundos, usando la función "Liquefy". Apague la licuadora. Sirvala inmediatamente o refrigérela en un recipiente hermético. Se podrá conservar durante 4 semanas. Calientela antes de servir.

Valor nutricional por cucharada:

Caloras 85 (53% de grasa) • carb. 9g • prot. 1g • gras. 5g • gras. sat. 3g
• col. 0mg • sod. 0mg • calc. 5mg • fibra 1g

Añino de Hierbas Sin Grasa

1 taza

1 taza de perejil fresco

1 chalote pequeño, cortado en cuartos

- 1 taza de piña, cortada en pedazos de 1 pulgada (fresca o en lata/colada)
- 1 taza de naranja, cortada en pedazos de 1 pulgada
- 1 taza de fresas, cortadas en la mitad
- 1 banano medio, cortado en rodajas de 1 pulgada
- 1 taza de cubitos de hielo

Ponga los ingredientes en la jarra de la licuadora, en el orden indicado. No apisono mucho las frutas. Cierre la tapa. Licue durante 30 a 40 segundos, usando la función "Liquefy". Apague la licuadora. Sirvalo inmediatamente.

Nota: Utilice frutas maduras. El smoothie será más rico.

Valor nutricional por porción:
 Calorías 92 (0% de grasa) • carb. 22g • prot. 1g • gras. 0g • gras. sat. 0g
 • col. 0mg • sod. 5mg • cal. 30mg • fibra 4g

Smoothie de Banano y Piña

2 porciones de 8 onzas

- 1 taza de jugo de piña sin azúcar añadido
- ½ banano, cortado en trozos de 1 pulgada
- ¼ taza de leche descremada en polvo
- 1 taza de cubitos de hielo

Ponga los ingredientes en la jarra de la licuadora, en el orden indicado. Cierre la tapa. Licue durante 25 a 30 segundos, usando la función "Liquefy". Apague la licuadora. Sirvalo inmediatamente.

Valor nutricional por porción:
 Calorías 152 (0% de grasa) • carb. 32g • prot. 6g • gras. 0g • gras. sat. 0g
 • col. 3mg • sod. 87mg • calc. 124mg • fibra 2g

Entremeses, Cremas Para Untar y Remojar

Asegúrese que la jarra y las cuchillas estén limpias y totalmente secas. Antes de picar hierbas frescas. Las hierbas también deben estar secas.

Hummus

2¼ tazas

- ½ taza de jugo de limón fresco
- 2 tazas de garbanzos en lata, colados

- 2 cucharadas de agua
- 4 dientes de ajo, cortados en cuartos
- 4 cucharadas de pasta tahina* (opcional)
- 1½ cucharadita de aceite de oliva puro
- 2 cucharaditas de sal
- 1 cucharadita de perejil picado

Ponga todos los ingredientes menos el perejil en la jarra de la licuadora, en el orden indicado. Cierre la tapa. Licue durante aproximadamente 20 segundos, usando la función "Liquefy". Raspé los lados de la jarra con una espátula. Licue durante 25 a 30 segundos adicionales. Apague la licuadora. Ponga la crema en un plato de servir y esparza perejil encima. Sirvalo a temperatura ambiente.

*Pasta de semilla de sésamo

Valor nutricional por cucharada:
 Calorías 40 (27% de grasa) • carb. 6g • prot. 1g • gras. 1g • gras. sat. 0g
 • col. 0mg • sod. 69mg • cal. 2mg • fibra 0g

Salsa de Yogur con Menta

2 tazas

- 2 tazas de yogur de vainilla bajo en grasa
- 1 cucharada de azúcar granulada
- 3 cucharadas de hojas de menta fresca

Ponga todos los ingredientes en la jarra de la licuadora, en el orden indicado. Cierre la tapa. Licue durante 10 a 15 segundos, usando la función "Purée". Apague la licuadora. Sirvalo helado, con frutas frescas.

Variación: Sustituya el yogur de vainilla por yogur de fruta.

Valor nutricional por cucharada:
 Calorías 16 (0% de grasa) • carb. 3g • prot. 1g • gras. 0g • gras. sat. 0g
 • col. 1mg • sod. 8mg • cal. 27mg • fibra 0g

Salsa Mexicana

2 tazas

- 1 lata (8 onzas) de tomates italianos, colados
- ¼ taza de hojas de cilantro fresco
- 2 jalapeños, sin semillas y cortados en pedazos de ½ pulgada
- 1 cebolla pequeña, cortada en pedazos de ½ pulgada

2 cucharadas de jarabe de chocolate

Ponga los ingredientes en la jarra de la licuadora, en el orden indicado. Cierre la tapa. Licue durante 25 a 30 segundos, usando la función "Puree". Apague la licuadora. Sirvalo inmediatamente.

Variación: Para preparar batido de fresa, utilice helado de fresa y jarabe de fresa en vez de chocolate.

Valor nutricional por porción:

Calorías 243 (41% de grasa) • carb. 29g • prot. 7g • gras. 11g • gras. sat. 7g • col. 34mg • sod. 127mg • calc. 234mg • fibra 1g

Batido "Capuchino"

4 porciones de 8 onzas

1 taza de café expreso o café muy fuerte preparado

1/2 taza de leche half-and-half

1/4 taza de azúcar granulado*

1 taza de cubitos de hielo

canela en polvo

Ponga los ingredientes menos la canela en la jarra de la licuadora, en el orden indicado. Cierre la tapa. Licue durante 25 a 30 segundos, usando la función "Liquefy". Apague la licuadora. Vierta el batido en vasos y esparza un poco de canela encima. Sirvalos inmediatamente.

*Utilice menos azúcar (unas 3 cucharadas) si desea que el batido sea menos dulce. **Variación:** Para preparar un refrescante postre congelado, congele la mezcla en una bandeja para hacer cubitos de hielo. Ponga los cubitos congelados en la jarra de la licuadora y píque los usando la función "Ice Crush".

Valor nutricional por porción:

Calorías 87 (31% de grasa) • carb. 14g • prot. 1g • gras. 3g • gras. sat. 2g • col. 11mg • sod. 14mg • calc. 33mg • fibra 0g

Ice Cream Soda

2 porciones de 12 onzas

1 taza de leche baja en grasa

4 onzas de helado de vainilla

2 cucharadas de jarabe de chocolate

1 taza de soda Ginger Ale

Ponga la leche, el helado y el jarabe en la jarra de la licuadora, en el orden indicado. Cierre la tapa. Licue durante 40 a 45 segundos, usando la función "Puree". Apague la licuadora. Vierta la soda en dos vasos grandes. Agregue la mezcla de helado y mezcle suavemente. Sirvalo inmediatamente.

Valor nutricional por porción:

Calorías 287 (34% de grasa) • carb. 40g • prot. 7g • gras. 11g • gras. sat. 7g • col. 34mg • sod. 136mg • calc. 238mg • fibra 1g

Batido "Mocha"

1 porción de 12 onzas

1 cucharadita de café en polvo instantáneo

1 cucharadita de agua caliente

1/2 taza de leche baja en grasa

8 onzas de yogur congelado de vainilla bajo en grasa

2 cucharadas de jarabe de chocolate

Disuelva el café en el agua y péngalo en la jarra de la licuadora. Agregue el resto de los ingredientes, en el orden indicado. Cierre la tapa. Licue durante 25 a 30 segundos, usando la función "Puree". Apague la licuadora. Sirvalo inmediatamente.

Valor nutricional por porción:

Calorías 479 (28% de grasa) • carb. 71g • prot. 15g • gras. 15g • gras. sat. 7g • col. 43mg • sod. 255mg • calc. 540mg • fibra 1g

Smoothies

Smoothie de Frutas Frescas

6 porciones de 6 onzas

1/3 taza de jugo de naranja

1 taza de melón, cortado en pedazos de 1 pulgada

1 taza de frambuesas (frescas o congeladas)

Daquiri Helado

4 porciones de 4 onzas

4 onzas de limonada concentrada, descongelada

3 onzas de ron claro

2 tazas de cubitos de hielo

Ponga los ingredientes en la jarra de la licuadora, en el orden indicado. Cierre la tapa. Licue durante 45 a 50 segundos, usando la función "Liquefy". Apague la licuadora. Sirva los daquiris inmediatamente.

Valor nutricional por porción:

Calorias 105 (0% de grasa) • carb. 14g • prot. 0g • gras. 0g • gras. sat. 0g • col. 0mg • sod. 4mg • calc. 0mg • fibra 0g

Bebida Helada de Ron Con Jugo de Naranja

4 porciones de 4 onzas

1 taza de jugo de naranja

1½ onza de ron oscuro

2 tazas de cubitos de hielo

Ponga los ingredientes en la jarra de la licuadora, en el orden indicado. Cierre la tapa. Licue durante aproximadamente 30 segundos, usando la función "Liquefy". Apague la licuadora. Sirvalo inmediatamente.

Valor nutricional por porción:

Calorias 45 (0% de grasa) • carb. 6g • prot. 0g • gras. 0g • gras. sat. 0g • col. 0mg • sod. 2mg • calc. 6mg • fibra 0g

Margarita

4 porciones de 4 onzas

½ taza de jugo de lima fresco

4 onzas de tequila

1 cucharadita de azúcar granulado

2 tazas de cubitos de hielo

Ponga los ingredientes en la jarra de la licuadora, en el orden indicado. Cierre la tapa. Licue durante 45 a 60 segundos, usando la función "Liquefy". Apague la licuadora. Sirva las margaritas inmediatamente.

Valor nutricional por porción:

Piña Colada

2 porciones de 6 onzas

½ taza de jugo de piña sin azúcar añadido

2 onzas de crema de coco endulzada

2 onzas de ron oscuro

1 taza de cubitos de hielo

Ponga los ingredientes en la jarra de la licuadora, en el orden indicado. Cierre la tapa. Licue durante 45 a 60 segundos, usando la función "Liquefy". Apague la licuadora. Sirva las piñas coladas inmediatamente.

Valor nutricional por porción:

Calorias 143 (25% de grasa) • carb. 10g • prot. 1g • gras. 4g • gras. sat. 2g • col. 11mg • sod. 17mg • calc. 14mg • fibra 1g

Batidos

Crema de Naranja Helada

1 porción de 12 onzas

¾ taza de leche descremada

8 onzas de sorbete de naranja

2 cucharadas de leche descremada en polvo

½ cucharadita de extracto de vainilla

Ponga los ingredientes en la jarra de la licuadora, en el orden indicado. Cierre la tapa. Licue durante aproximadamente 30 segundos, usando la función "Liquefy". Apague la licuadora. Sirvalo inmediatamente.

Valor nutricional por porción:

Calorias 396 (9% de grasa) • carb. 76g • prot. 14g • gras. 4g • gras. sat. 3g • col. 20mg • sod. 265mg • calc. 411mg • fibra 5g

Batido De Chocolate

2 porciones de 8 onzas

1 taza de leche baja en grasa

4 onzas de helado de vainilla

Montar nata

Para lograr resultados óptimos, refrigere la jarra por 15 minutos antes de usarla. Ponga 1 taza de doble crema o nata para montar en la jarra y cierre la tapa. Licue 45 a 60 segundos, usando la función Mix, hasta que la crema se vuelva espesa. No licue mucho la crema. Si lo desea, agregue 1 cucharada de azúcar granulada y 1 a 2 cucharadita de extracto de vainilla u otro perfume. La crema será ligera, no muy espesa, y perfecta para servir con tortas, helados, café o chocolate.

Preparar puré de tomates secados al sol

Remoje 1 onza de tomates secados al sol en agua hervida durante 10 minutos, hasta que estén suaves. Ponga los tomates y el agua en la jarra. Licue 5 veces usando la función Liquify, luego licue durante 15 a 20 segundos. Si lo desea, puede colar los tomates para que el puré sea menos líquido. Prepare aproximadamente ½ taza de puré.

- 1 taza de jugo de arándano agrío, refrigerado
- 1 taza de jugo de naranja, refrigerado
- 1½ taza de cubitos de hielo
- 1 botella (750 ml) de champaña, refrigerado

Ponga el jugo de arándano agrío, el jugo de naranja y los cubitos de hielo en la jarra de la licuadora, en el orden indicado. Cierre la tapa. Licue durante 30 a 40 segundos, usando la función "Liquify". Apague la licuadora. Llene cada vaso con 1/3 de jugo y de champaña. Sirva las mimosas inmediatamente.

Valor nutricional por porción:

Calorías 32 (0% de grasa) • carb. 8g • prot. 0g • grasa 0g • gras. sat. 0g • col. 0mg • sod. 14mg • calc. 3mg • fibra 1g

Daiquiri Helado de Frutas

5 porciones de 4 onzas

- 4 onzas de limonada concentrada, descongelada
- 3 onzas de ron claro
- 2 tazas de cubitos de hielo
- 1 taza de frutas maduras, cortadas en pedazos de 1 pulgada (fresas, banana, durazno)

Ponga los ingredientes en la jarra de la licuadora, en el orden indicado. Cierre la tapa. Licue durante 45 a 50 segundos, usando la función "Liquify". Apague la licuadora. Sirva los daiquiris inmediatamente.

Valor nutricional por porción:

Calorías 90 (0% de grasa) • carb. 13g • prot. 0g • grasa 0g • gras. sat. 0g • col. 0mg • sod. 3mg • calc. 5mg • fibra 1g

RECETAS

Bebidas Heladas

Mimosas Con Jugo de Arándo Agrío y Naranja

Diez porciones de 5½ onzas

- No ponga ningún utensilio adentro de la jarra mientras el aparato está funcionando.

- Nunca use partes o accesorios no aprobados por Cuisinart para uso con este aparato. Esto podría provocar una herida.
- No introduzca las manos en la jarra mientras el aparato está enchufado. No agregue líquido muy caliente o alimentos congelados (excepto hielo o pedacitos de fruta congelada) en la jarra. Permita que el líquido muy caliente entre durante por lo menos 5 minutos antes de vertelo en la jarra.

CONSEJOS DE PREPARACIÓN

Las recetas que vienen a continuación incluyen algunas de nuestras recetas favoritas, y nuevas recetas que les encantarán a su familia y a sus amigos. Gracias al potente motor de su Licuadora Electrónica Con 7 Velocidades SmartPower™, capaz de picar hielo, también podrá preparar deliciosas bebidas heladas.

Picar nueces
Ponga ½ taza de nueces sin cáscara en la jarra y cierre la tapa. Pulse 4 a 5 veces, usando la función Chop, hasta obtener la consistencia deseada. Pulse menos veces para conseguir pedazos más gruesos. Para lograr resultados óptimos, no procese más de ½ taza a la vez.

Moler pan o galletas
Corte el pan o las galletas en pedacitos de ½ pulgada o menos antes de procesarlo. Se le hará más fácil usar pan del día anterior. Ponga los pedazos de pan o de galleta en la jarra y cierre la tapa. Licue durante 5 a 10 segundos, usando la función Mix. Para lograr resultados óptimos, no procese más de 1 taza a la vez.

Picar hielo
Ponga 10 cubitos de hielo en la jarra y cierre la tapa. Oprima el botón para picar hielo Ice Crush 10 veces o hasta alcanzar la consistencia deseada.

Rallar corteza de cítrico

Asegúrese que la jarra y las cuchillas estén totalmente secas. Saque la corteza de la fruta con un pelador de vegetales. Remueva la parte amarga y blanca con un cuchillo. Corte las tiras de corteza en la mitad. Ponga 8 tiras (sea, la corteza de medio limón) y aproximadamente 1 cucharadita de azul-cargranulado en la jarra. Cierre la jarra y licue durante 15 a 20 segundos, usando la función Liquefy.

Preparar comida para bebé

Ponga ½ taza de vegetales, frutas o carne cocida en la jarra, junto con 3 a 4 cucharadas de líquido (agua, leche, jugo de fruta o caldo). Cierre la tapa y licue durante 15 a 20 segundos, usando la función Puree hasta alcanzar la consistencia deseada, agregando más líquido si fuera necesario. Para preparar puré más grueso para niños más grandes, pulse a velocidad alta. Siempre pregunte a su médico cual comida conviene a su bebé.

Rallar queso duro

Remueva la corteza dura del queso y corte el queso en pedazos de ½ pulgada. Ponga los pedazos en la jarra y cierre la tapa. Licue durante 30 segundos, usando la función Liquefy, hasta obtener la consistencia deseada.

- Ingredientes sólidos. Esto producirá resultados más parejos. Corte los alimentos grandes en cubitos de ½ a 1 pulgada (1,5 a 2,5 cm). Corte el queso en pedacitos de ½ pulgada (1,5 cm) máximo.
 - Utilice el tapón para medir ingredientes líquidos como alcohol. No se olvide de regresar el tapón sobre la tapa antes de licuar.
 - Apague el aparato antes de raspar la jarra o desalojar alimentos trabados. Use una espátula de plástico o de caucho únicamente. Nunca use utensilios de metal, los cuales podrían dañar la jarra o las cuchillas.
 - Cierre la tapa seguramente antes de poner la licuadora en marcha.
 - Asegúrese que el anillo de retención esté seguramente puesto antes de usar la licuadora.
 - Remueva el anillo de retención, las cuchillas y el sello de caucho antes de limpiar la jarra.
 - Asegúrese que la jarra y las cuchillas estén totalmente secas antes de picar hierbas, ajo, corteza de limón, migajas de pan, nueces, especias, etc.
 - Pulse para desalojar los alimentos pegados a la jarra. Si no funciona, raspe los lados de la jarra con una espátula de plástico o de caucho y repositóne los alimentos sobre las cuchillas.
 - Pulse con pulsos cortos. Permita que las cuchillas se inmovilicen entre dos pulsos.
- Nunca haga esto:**
- No guarde alimentos o líquido en la licuadora.
 - No ponga las cuchillas y el anillo de retención en la base sin la jarra puesta.
 - No intente montar claras de huevo o procesar comidas muy espesas como puré de papas o masa en la licuadora.
 - No remueva la jarra de la base y no remueva la tapa de la jarra mientras el aparato está funcionando.
 - No gire el anillo de retención para sacar la jarra de la base. Simplemente aice la jarra.
 - No procese mucho los alimentos. La licuadora produce los resultados deseados en segundos.
 - No sobrellene la licuadora. Si nota que el motor está haciendo fuerza, apague la licuadora y saque una parte de los alimentos de la jarra.

- con una espátula de plástico.** Regrese la tapa y el tapón sobre la jarra antes de encender el aparato.
10. **Después De Terminar:** Oprima el botón de apagado Off y desconecte el aparato del tomacorriente. Espere que el motor esté totalmente apagado antes de sacar la jarra de la base. No desenrosque el anillo de retención al remover la jarra. Simplemente aice la jarra. **No ponga los dedos adentro de la jarra mientras está conectada.**

LIMPIEZA Y MANTENIMIENTO

- Siempre apague y desconecte el aparato del tomacorriente antes de limpiarlo. Las partes de la licuadora son anti-corrosivas y fáciles de limpiar. Limpie todas las partes antes de usar la licuadora por primera vez y después de cada uso. Examine cada parte antes de volver a ensamblar el aparato. Si nota algún signo de deterioro o si la jarra está desconchada o rajada, **NO USE LA LICUADORA.**
- Saque la jarra de la base y gire el anillo de retención en el sentido antihorario para removerlo. Frote la tapa de la jarra y el tapón de la tapa. Saque las cuchillas y el sello de caucho. **PRECAUCIÓN:** Manipule las cuchillas con sumo cuidado, puesto que son muy tajantes. No intente desarmar el juego de cuchillas.
- Lave las cuchillas y el sello de caucho en agua jabonosa. Enjuáguelos y permita que sequen completamente.
- Cualquier otro servicio debe ser realizado por un técnico autorizado.
- Lave la jarra, la tapa y el tapón en agua jabonosa. Enjuáguelos y permita que sequen completamente. Estas partes también son aptas para lavavajillas (ponga la tapa y el tapón en la bandeja superior del lavavajillas y ponga la jarra al revés para que no se llene de agua).

REGLAS BÁSICAS

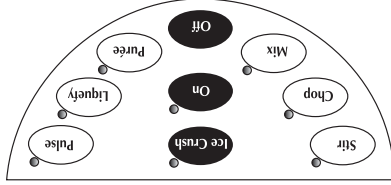
Siempre haga esto:

- Asegúrese que el voltaje del tomacorriente corresponda al voltaje indicado debajo de la base del aparato.
- Siempre coloque la licuadora sobre una superficie seca, limpia y estable.
- Siempre ponga los ingredientes líquidos en la jarra primero, luego los

el aparato, según se describe en las instrucciones de operación.

Función De Pulso: El modo pulso le permitirá incrementar el poder y la velocidad del motor durante un corto lapso. Para pulsar: Oprima el botón de encendido On. El indicador luminoso de encendido se encenderá. Ahora, oprima el botón de pulso Pulse.

El indicador luminoso de pulso se encenderá de manera intermitente.



Oprima luego atíjelo el botón de velocidad deseado, cuantas veces y cuanto tiempo desea. Esta función es muy conveniente para quebrar pedacitos grandes antes de licuarlos o controlar precisamente la consistencia de los alimentos al picarlos. También la puede usar para empezar a procesar alimentos o procesar alimentos que no requieran mucho tiempo para licuarse.

Consejo: Para limpiar las cuchillas de manera más efectiva, ponga un poco de detergente en la jarra y llénela hasta la mitad con agua tibia. Ponga la licuadora en marcha durante 15 segundos y vacíe el agua jabonosa. Repita con agua limpia, luego desarme las piezas para lavar las como se describe mas arriba. Limpie el bloque-motor con un paño humedecido y séquelo bien. Nunca ponga la base en agua u otro líquido, o, en el lavavajillas.

8. Picar Hielo: El motor de su licuadora es suficientemente poderoso para picar hielo, usando cualquiera velocidad. Sin embargo, para su conveniencia, su licuadora está dotada de un botón para picar hielo, el cual fue preprogramado para picar hielo a la velocidad óptima. Para picar hielo: Oprima el botón de encendido On. El indicador luminoso de encendido se encenderá. Pulse el botón para picar hielo Ice Crush, las cuantas veces sean necesarias hasta obtener la consistencia deseada. Véase la sección "Consejos útiles" para más información.

9. Desalojar Alimentos Trabados: Para desalojar alimentos trabados en las cuchillas, PRIMERO APAGUE EL APARATO, luego desaloje los alimentos

GUÍA DE REFERENCIA RÁPIDA

Oprima el botón de encendido On.	Poner el aparato bajo tensión
Oprima el botón de velocidad deseado.	Empezar a licuar
Oprima el botón de velocidad deseado.	Cambiar la velocidad
Oprima luego atíjelo el botón de pulso "Pulse".	Pulsar
Oprima luego atíjelo el botón para picar hielo "Ice Crush".	Picar hielo
Oprima el botón de apagado "Off".	Apagar el aparato completamente
Atíjelo el botón "Pulse" o "Ice Crush".	Detener el aparato sin apagarlo (al usar la función de pulso o al picar hielo)
Vuelva a oprimir el botón de velocidad usado.	Detener el aparato sin apagarlo (al usar todas las otras velocidades)

GUÍA DE SELECCIÓN DE LA VELOCIDAD

Resultado	Función/Velocidad	Ingrediente/Receta
Suave	Stir	Preparar jugo con jugo congelado
Espeso y cremoso	Stir	Mayonesa
Perfectamente emisivo-	Stir	Allíno para ensaladas nado
Grueso a fino	Chop	Nueces (shelled, ½ cup or less at a time)
Fino y parejo	Mix	Nata montada
Fino y parejo	Mix	Pan o galletas (add ½-inch pieces, 1 cup or less at a time)
Fino y parejo	Purée	Corteza de cítrico rallada zest (add 1 to 2 tsp, sugar or salt from recipe)
Suave y cremoso	Purée	Comida para bebé, purés de vegetales o de frutas
Suave y cremoso	Liquefy	Batidos, smoothies, jugos naturales
Espeso y medio derretido	Liquefy	Cócteles helados
Grueso a fino	Liquefy	Quesos duros
Grueso a fino	Liquefy	Espicias
Fino	Ice Crush	Hielo

Siga las instrucciones de ensamblado siguientes para ensamblar su Licuadora Electrónica Con 7 Velocidades SmartPower®.

1. Ponga la jarra al revés (a) sobre una superficie llana y segura.
2. Instale el sello de goma (b). El sello debe ubicarse entre el juego de cuchillas y la jarra.

3. Ponga el juego de cuchillas al revés (c) e insértelo en la abertura de la jarra. **Importante:** Las cuchillas son muy filosas. Manipúlelas con sumo cuidado.

4. Enrosque el anillo de retención (d) para sujetar el juego de cuchillas. Se debe apretar seguramente el anillo de retención antes de colocar los ingredientes en el vaso. Para apretar el anillo, mantenga el vaso al revés y gire el anillo en el sentido antihorario.

5. Instale la tapa sobre la jarra y el tapón sobre la tapa.

6. Ponga la jarra sobre la base, asegurándose que esté correctamente asentada. Las marcaciones deberían estar frente a usted.

7. Enchufe el cable en un tomacorriente.

Su licuadora está lista.

CONSEJOS ÚTILES

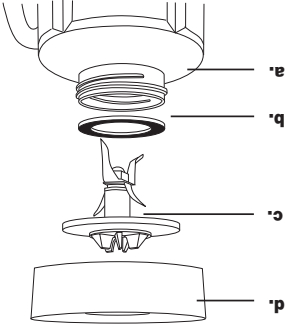
• Para agregar ingredientes mientras está licuando, no apague la licuadora.

• Simplemente remueva el tapón de la tapa y agregue los ingredientes.

• Siempre que la licuadora esté en funcionamiento, debe tener puesta la tapa.

• **Advertencia:** Espere que el motor se haya detenido totalmente antes de retirar la jarra de la base.

• No desensamble el anillo de retención para sacar la jarra de la base. Coja la jarra por el asa y levántela.



a.

b.

c.

d.

- Nunca procese líquido muy caliente o alimentos congelados, menos hielo o pedazos de frutas de menos de ½ pulgada (1,5 cm).
- No ponga líquidos o alimentos muy fríos en la jarra después de sacarla del lavavajillas.
- No ponga líquidos o alimentos muy calientes en la jarra después de

OPERACIÓN

- sacarla del refrigerador. Permita que los líquidos muy calientes enfríen durante 5 minutos antes de verterlos en la jarra.
- Limpie la jarra, las cuchillas, el anillo de retención y la tapa antes de usar la licuadora por primera vez (véase el capítulo "Limpieza y Mantenimiento").

1. Ponga el bloque-motor de la licuadora sobre una superficie seca, limpia, llana y segura. Ensamble el aparato según las instrucciones de ensamblado. Enchufe el aparato en un tomacorriente.

2. Ponga los ingredientes en la jarra y cierre la tapa.

Nota: Agregue los ingredientes líquidos primero, luego los ingredientes sólidos. Esto producirá resultados más parejos y evitará que el motor haga mucho esfuerzo.

Nota: Para remover la tapa, cójala por el borde y levántela. Sacar el tapón no removerá la tapa.

3. **Poner La Licuadora Bajo Tensión:** Oprima el botón de encendido On. El indicador luminoso rojo al lado del botón de encendido se iluminará de manera intermitente, lo cual indica que la licuadora está bajo tensión. No se pondrá en marcha hasta que seleccione una velocidad.

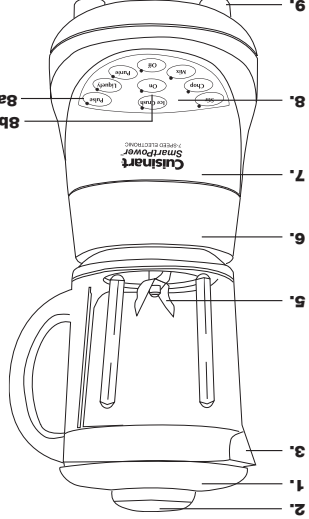
4. **Escoger La Velocidad:** Escoga una de las 7 velocidades disponibles, según su necesidad. El indicador luminoso al lado del botón de velocidad escogido se iluminará y la licuadora se pondrá en marcha. Si desea cambiar la velocidad, simplemente oprima otro botón de velocidad. No es necesario oprimir el botón de apagado.

5. **Detener O Apagar La Licuadora:** Para detener la licuadora: Vuelva a oprimir el botón de velocidad usado. La licuadora se detendrá pero seguirá encendida. Para volver a prenderla, oprima el botón de velocidad otra vez. Para apagar la licuadora: Oprima el botón de apagado.

6. **Cómo reiniciar el aparato:** Este aparato está equipado con un dispositivo avanzado de protección térmica que apagará automáticamente el motor en caso de sobrecalentamiento. Si esto ocurriera, desenchufe el aparato y permita que enfríe durante 15 minutos. Reduzca el contenido del recipiente y/o suelte los alimentos trabados. Vuelva a encender

CARACTERÍSTICAS

- Tapa**
Con sello a prueba de fugas. Simplemente apriete para sellarla.
- Tapón/Receptáculo para medir de 2 oz. (60mL)**
Permite medir y agregar ingredientes sin apagar la licuadora.
- Jarra de cristal con capacidad para 40 fl. oz. (1,2L)**
Con pico vertedor ancho a prueba de goteo.
- Sello a prueba de fugas (no enseñado)**
Mantiene la jarra firme en posición.
- Cuchillas de alta calidad**
Ejecuta las tareas más difíciles como picar hielo, así como las tareas más precisas como picar hierbas delicadas.
- Anillo de retención**
Coincide perfectamente con la jarra.
- Resistente bloque-motor**
Sólido y estable. No se moverá mientras el aparato está funcionando, incluso cuando pique hielo.
- 7 controles electrónicos con indicadores luminosos**
Permite pulsar a cualquiera velocidad, para mezclar los ingredientes de manera precisa.
- Botón para picar hielo**
Preprogramado a la velocidad perfecta para picar hielo sin esfuerzo.
- Pies antideslizantes**
Mantiene el aparato estable y no deja marcas en los mesones.
- Espacio para guardar el cable (no enseñado)**
Guarda el exceso de cable para lograr una apariencia más nítida.



Importante: Las cuchillas son muy filosas. Manipúlelas con sumo cuidado

comúnquese con un electricista. No intente modificarla. Este aparato está equipado con un dispositivo de protección térmica que apagará el motor en caso de sobrecalentamiento. Si esto ocurriera, desenchufe el aparato y permita que enfrié durante 15 minutos o más antes de continuar (ver “Cómo reiniciar el aparato” en la página 5).

INSTRUCCIONES DE DESEMPACADO

- Ponga la caja sobre una superficie espaciosa, llana y segura.
 - Remueva el manual de instrucciones y otros folletos de la caja, luego saque el inserto de cartón que se encuentra encima del aparato.
 - Remueva cuidadosamente la base de la licuadora de la caja.
 - Saque el inserto de cartón conteniendo las partes de la jarra. Tenga cuidado de no hacer caer la jarra.
 - Remueva el resto de los folletos de la caja.
- Para ensamblar la licuadora, siga las instrucciones que se encuentran en la página 4 de este manual de instrucciones. Regrese los insertos de cartón en la caja y guarde el material de embalaje por si necesitara enviar el aparato algún día.

Antes de usarlo por primera vez: Limpie todas las partes, como se describe en la sección “Limpieza y Mantenimiento,” a fin de remover el polvo y los residuos.

ÍNDICE

Medidas de seguridad importantes	2
Instrucciones de desempacado	3
Características	3
Ensamblado	4
Consejos útiles	4
Operación	4
Guía de referencia rápida	5
Limpieza y mantenimiento	6
Reglas básicas	6
Consejos de preparación	7
Recetas	8
Garantía	19

MEDIDAS DE

SEGURIDAD IMPORTANTES

Siempre que use artefactos electrodomésticos, debe seguir precauciones básicas de seguridad, entre las cuales las siguientes:

1. LEA TODAS LAS INSTRUCCIONES ANTES DE USARLO.

2. Para protegerse contra riesgos de choque eléctricos, no coloque el aparato en el agua o cualquier otro líquido.

3. Este aparato no debería ser utilizado por o cerca de niños o personas con alguna discapacidad.

4. Desconecte el aparato cuando no lo está usando, antes de sacar el contenido, antes de instalar o remover piezas y antes de limpiarlo. **Nunca ponga las manos en la jarra o toque las cuchillas mientras el aparato está conectado.**

5. Evite el contacto con las piezas en movimiento.

6. Nunca utilice el aparato si el cable o la clavija están dañados, si no funciona correctamente, si ha caído, si está dañado o si ha caído al agua. Mándelo al Centro de Servicio más cercano para que lo ajusten o lo reparen.

7. El uso de accesorios, incluyendo frascos para conservar, no recomendados nas. Evite el contacto con las piezas en movimiento.

8. No use este aparato en la intemperie.

9. No permita que el cable cuelgue por el borde de la mesa o encimera, ni que toque superficies calientes.

10. Mantenga las manos y utensilios fuera de la jarra cuando esté llicuadora para reducir el riesgo de lesiones personales severas y/o daños a la llicuadora. Se puede usar una espátula de goma pero debe usarse sólo cuando la llicuadora no esté en funcionamiento.

11. Cuando el aparato está bajo tensión y los indicadores luminosos se encienden de manera intermitente, no toque o interfiera con el movimiento de las cuchillas y no remueva la tapa. Se puede prender el aparato al tocar un botón accidentalmente.

12. LAS CUCHILLAS SON FILOSAS. MANÉJELAS CON SUMO CUIDADO.

13. Para reducir el riesgo de lesiones, nunca coloque las cuchillas en la base si la que la jarra esté debidamente ajustada.

14. Siempre que la llicuadora esté en funcionamiento, debe tener puesta la tapa.

GUARDE ESTAS INSTRUCCIONES PARA USO DOMÉSTICO SOLAMENTE

AVISO ELÉCTRICO

El cable de este aparato está dotado de una clavija polarizada (una pta es más ancha que otra). Como medida de seguridad, se podrá enchufar entrara en el tomacorriente, invírtela. Si aun no entrara completamente,

15. No deje la llicuadora desatendida mientras esté en funcionamiento.

16. Al llicuar líquidos calientes, quite el tapón (pieza central de la tapa) a fin de permitir que el vapor se escape.

17. Enrosque firmemente el anillo de retención. Pueden ocurrir lesiones sin las cuchillas en movimiento quedan accidentalmente al descubieto.

18. No use este aparato con una extensión eléctrica. Esto podría provocar un incendio, una electrocución o heridas.

Nota relativa al cable de su llicuadora: Su llicuadora está dotada de un cable largo, para que usted pueda ubicar el aparato donde sea más conveniente. Para evitar que el cable se enrede o que alguien lo tropiece o lo jale, excese de cable en el espacio para guardar el mismo atrás de la base.

19. Limpie la jarra, las cuchillas, el anillo de retención y la tapa antes de usar la llicuadora por primera vez.

20. **ADVERTENCIA:** PARA PREVENIR EL RIESGO DE INCENDIO O ELECTROUCIÓN, NO DESARME EL BLOQUE-MOTOR, ESTE APARATO NO CONTIENE PARTES QUE PUEDAN SER REPARADAS POR EL USUARIO. CUALQUIERA REPARACIÓN DEBE SER REALIZADA POR UN TÉCNICO AUTORIZADO.

21. **ADVERTENCIA:** SI LOS INDICADORES LUMINOSOS SE ENCIENDEN DE MANERA INTERMITENTE, ESTO SIGNIFICA QUE EL APARATO ESTÁ BAJO TENSÓN. NO TOQUE LAS CUCHILLAS.

22. No haga funcionar el aparato bajo o adentro de un armario. Siempre desconecte el aparato antes de guardarlo en un armario. Dejar el aparato toa las paredes o la puerta del armario cuando cierra.

Cuisinart®

INSTRUCCIONES Y
LIBRO DE RECETAS



Licuada Electrónica con 7 Velocidades SmartPower®

Serie SPB-7

Para su seguridad y para disfrutar plenamente de este producto, siempre lea las instrucciones cuidadosamente antes de usarlo.

Version no : IB-7739-ESP-C

Fold Size: 210MM(W)X148MM(H) 40pp Old-same as IB-7739-ESP-B

Material: 105gsm Both side Artpaper for Whole Book

Coating: Varnishing in cover

Color (Cover): 4C(CMYK)+1C(K)

(Inside): 1C(K)+1C(K)

Date: Mar-24-2014

Co-ordinator: Astor You / Andy WS Chan

BOND FUND Descriptio

PDF version : IB-7739-ESP-C (0,0)

BOND FUND Code : _____ Operator : Wu

Color Series: Non

Remark: Varnishing in cover

